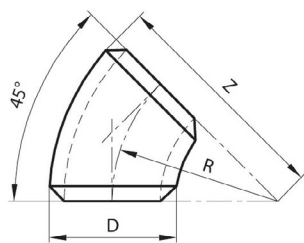
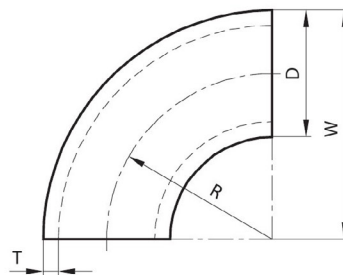


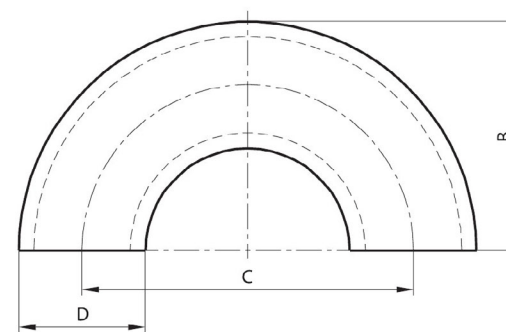
## Oblouk typ A EN 10253-2 (1)



Oblouk  $45^\circ$



Oblouk  $90^\circ$



Oblouk  $180^\circ$

## Oblouk typ A EN 10253-2 (2)

DN 15 - DN 80

| DN | D    | Typ | Rozměry v mm |     |       | Tloušťka stěny T, součinitel tlaku X v %, váha v kg |     |    |     |     |      |     |     |      |     |     |      |
|----|------|-----|--------------|-----|-------|---|-----|----|-----|-----|------|-----|-----|------|-----|-----|------|
|    |      |     | R            | C   | B-W-Z | 1   |     |    | 2   |     |      | 3   |     |      | 4   |     |      |
|    |      |     |              |     |       | T   | X % | kg | T   | X % | kg   | T   | X % | kg   | T   | X % | kg   |
| 15 | 21,3 | 2D  | 25           | 50  | 36    | -   | -   | -  | 2,0 | 75  | 0,03 | 2,6 | 76  | 0,05 | 3,2 | 77  | 0,06 |
|    |      | 3D  | 38           | 76  | 49    |   | -   | -  |     | 85  | 0,05 |     | 85  | 0,06 |     | 86  | 0,07 |
|    |      | 5D  | 42,5         | 85  | 53    |   | -   | -  |     | 87  | 0,07 |     | 87  | 0,08 |     | 88  | 0,10 |
| 20 | 26,9 | 2D  | 25           | 50  | 39    | -   | -   | -  | 2,3 | 67  | 0,06 | 2,6 | 67  | 0,06 | 3,2 | 68  | 0,07 |
|    |      | 3D  | 38           | 76  | 51    |   | -   | -  |     | 80  | 0,08 |     | 80  | 0,08 |     | 81  | 0,11 |
|    |      | 5D  | 57,5         | 115 | 71    |   | -   | -  |     | 87  | 0,13 |     | 88  | 0,14 |     | 88  | 0,17 |
| 25 | 33,7 | 2D  | 25           | 50  | 42    | -   | -   | -  | 2,6 | 54  | 0,10 | 3,2 | 55  | 0,12 | 4,0 | 57  | 0,14 |
|    |      | 3D  | 38           | 76  | 56    |   | -   | -  |     | 74  | 0,12 |     | 74  | 0,13 |     | 75  | 0,18 |
|    |      | 5D  | 72,5         | 145 | 89    |   | -   | -  |     | 87  | 0,23 |     | 88  | 0,28 |     | 88  | 0,34 |
|    | 38,0 | 3D  | 45           | 90  | 64    | -   | -   | -  | 2,6 | -   | 0,16 | -   | -   | -    | -   | -   | -    |
|    |      | 5D  | 82,5         | 165 | 101   |   | -   | -  |     | -   | 0,30 |     | -   | -    |     | -   | -    |
| 32 | 42,4 | 2D  | 32           | 64  | 53    | -   | -   | -  | 2,6 | 54  | 0,15 | 3,6 | 55  | 0,21 | 4,0 | 56  | 0,23 |
|    |      | 3D  | 48           | 96  | 69    |   | -   | -  |     | 73  | 0,19 |     | 74  | 0,26 |     | 74  | 0,29 |
|    |      | 5D  | 92,5         | 185 | 114   |   | -   | -  |     | 87  | 0,37 |     | 88  | 0,50 |     | 88  | 0,55 |
| 40 | 48,3 | 2D  | 38           | 76  | 62    | -   | -   | -  | 2,6 | 56  | 0,20 | 3,6 | 57  | 0,27 | 4,0 | 58  | 0,29 |
|    |      | 3D  | 57           | 114 | 82    |   | -   | -  |     | 74  | 0,26 |     | 75  | 0,36 |     | 75  | 0,39 |
|    |      | 5D  | 109,5        | 219 | 134   |   | -   | -  |     | 88  | 0,50 |     | 88  | 0,67 |     | 88  | 0,74 |
|    | 51,0 | 3D  | 63           | 126 | 88    | -   | -   | -  | 2,6 | -   | 0,31 | -   | -   | -    | -   | -   | -    |
|    |      | 5D  | 122,5        | 245 | 149   |   | -   | -  |     | -   | 0,56 |     | -   | -    |     | -   | -    |
|    | 57,0 | 3D  | 72           | 144 | 100   | -   | -   | -  | 2,9 | -   | 0,44 | -   | -   | -    | -   | -   | -    |
|    |      | 5D  | 130          | 260 | 158   |   | -   | -  |     | -   | 0,78 |     | -   | -    |     | -   | -    |
| 50 | 60,3 | 2D  | 51           | 102 | 81    | -   | -   | -  | 2,9 | 60  | 0,36 | 3,6 | 61  | 0,44 | 4,0 | 61  | 0,48 |
|    |      | 3D  | 76           | 152 | 106   |   | -   | -  |     | 76  | 0,49 |     | 76  | 0,60 |     | 77  | 0,67 |
|    |      | 5D  | 137,5        | 275 | 168   |   | -   | -  |     | 88  | 0,87 |     | 88  | 1,07 |     | 88  | 1,18 |
|    | 70,0 | 3D  | 92           | 184 | 127   | -   | -   | -  | 2,9 | -   | 0,70 | -   | -   | -    | -   | -   | -    |
|    |      | 5D  | 160          | 320 | 195   |   | -   | -  |     | -   | 1,21 |     | -   | -    |     | -   | -    |
| 65 | 76,1 | 2D  | 63           | 127 | 102   | -   | -   | -  | 2,9 | 58  | 0,58 | 3,6 | 59  | 0,71 | 5,6 | 60  | 1,07 |
|    |      | 3D  | 95           | 190 | 133   |   | -   | -  |     | 76  | 0,78 |     | 76  | 0,96 |     | 77  | 1,46 |
|    |      | 5D  | 175          | 350 | 213   |   | -   | -  |     | 88  | 1,44 |     | 88  | 1,77 |     | 88  | 2,68 |
| 80 | 88,9 | 2D  | 76           | 152 | 121   | -   | -   | -  | 3,2 | 60  | 0,88 | 4,0 | 60  | 1,09 | 5,6 | 61  | 1,49 |
|    |      | 3D  | 114          | 228 | 159   |   | -   | -  |     | 78  | 1,22 |     | 76  | 1,51 |     | 77  | 2,07 |
|    |      | 5D  | 207,5        | 415 | 252   |   | -   | -  |     | 88  | 2,18 |     | 88  | 2,70 |     | 88  | 3,72 |

## Oblouk typ A EN 10253-2 (3)

DN 100 - DN 300

| DN  | D     | Typ | Rozměry v mm |      |       | Tloušťka stěny T, součinitel tlaku X v %, váha v kg |     |       |     |     |       |     |     |       |      |     |       |
|-----|-------|-----|--------------|------|-------|---|-----|-------|-----|-----|-------|-----|-----|-------|------|-----|-------|
|     |       |     | R            | C    | B-W-Z | 1   |     |       | 2   |     |       | 3   |     |       | 4    |     |       |
|     |       |     |              |      |       | T   | X % | kg    | T   | X % | kg    | T   | X % | kg    | T    | X % | kg    |
|     | 101,6 | 3D  | 133          | 267  | 184   | -   | -   | -     | 3,6 | -   | 1,83  | 4,0 | -   | 2,02  | 5,6  | -   | 2,78  |
|     |       | 5D  | 235          | 470  | 286   | -   | -   | -     | 3,6 | -   | 3,25  | 4,0 | -   | 3,59  | 5,6  | -   | 4,95  |
|     | 108,0 | 3D  | 142,5        | 285  | 196   | -   | -   | -     | 3,6 | -   | 2,08  | -   | -   | -     | -    | -   | -     |
|     |       | 5D  | 253          | 506  | 306   | -   | -   | -     | 3,6 | -   | 3,68  | -   | -   | -     | -    | -   | -     |
| 100 | 114,3 | 2D  | 102          | 203  | 159   | -   | -   | -     | 3,6 | 62  | 1,62  | 4,5 | 62  | 2,01  | 6,3  | 63  | 2,77  |
|     |       | 3D  | 152          | 304  | 210   | -   | -   | -     | 3,6 | 77  | 2,36  | 4,5 | 77  | 2,92  | 6,3  | 78  | 4,02  |
|     |       | 5D  | 270          | 540  | 327   | -   | -   | -     | 3,6 | 88  | 4,17  | 4,5 | 88  | 5,17  | 6,3  | 88  | 7,12  |
|     | 133,0 | 3D  | 181          | 362  | 247   | -   | -   | -     | 4,0 | -   | 3,62  | -   | -   | -     | -    | -   | -     |
|     |       | 5D  | 311,5        | 623  | 378   | -   | -   | -     | 4,0 | -   | 6,25  | -   | -   | -     | -    | -   | -     |
| 125 | 139,7 | 2D  | 127          | 254  | 197   | -   | -   | -     | 4,0 | 63  | 2,79  | 5,0 | 63  | 3,46  | 6,3  | 64  | 4,32  |
|     |       | 3D  | 190          | 380  | 260   | -   | -   | -     | 4,0 | 78  | 4,01  | 5,0 | 78  | 4,97  | 6,3  | 78  | 6,20  |
|     |       | 5D  | 330          | 660  | 400   | -   | -   | -     | 4,0 | 88  | 6,94  | 5,0 | 88  | 8,61  | 6,3  | 88  | 10,80 |
|     | 141,3 | 2D  | 127          | 254  | 197   | -   | -   | -     | 4,0 | -   | 2,85  | 5,4 | -   | 3,87  | 6,3  | -   | 4,34  |
|     |       | 3D  | 190,5        | 381  | 262   | -   | -   | -     | 4,0 | -   | 4,00  | 5,4 | -   | 5,20  | 6,3  | -   | 6,51  |
|     | 152,4 | 3D  | 215          | 430  | 291   | -   | -   | -     | 4,5 | -   | 5,55  | -   | -   | -     | -    | -   | -     |
|     | 159,0 | 3D  | 216          | 432  | 295   | -   | -   | -     | 4,5 | -   | 5,82  | -   | -   | -     | -    | -   | -     |
|     |       | 5D  | 375          | 750  | 454   | -   | -   | -     | 4,5 | -   | 10,10 | -   | -   | -     | -    | -   | -     |
| 150 | 168,3 | 2D  | 152          | 305  | 237   | -   | 62  | 4,10  | 4,5 | 62  | 4,43  | 5,6 | 63  | 5,47  | 7,1  | 63  | 6,87  |
|     |       | 3D  | 229          | 457  | 313   | 4,0   | 78  | 6,30  | 4,5 | 78  | 6,53  | 5,6 | 78  | 8,07  | 7,1  | 78  | 10,10 |
|     |       | 5D  | 390          | 780  | 474   | 4,0   | 88  | 10,70 | 4,5 | 88  | 11,10 | 5,6 | 88  | 13,80 | 7,1  | 88  | 17,30 |
| 175 | 193,7 | 3D  | 270          | 540  | 367   | -   | -   | -     | 5,6 | -   | 11,00 | 6,3 | -   | 12,40 | 7,1  | -   | 13,90 |
| 200 | 219,1 | 2D  | 203          | 406  | 313   | -   | 63  | 7,86  | 6,3 | 64  | 10,90 | 7,1 | 64  | 12,30 | 8,0  | 64  | 13,70 |
|     |       | 3D  | 305          | 610  | 414   | 4,5   | 78  | 11,40 | 6,3 | 78  | 15,80 | 7,1 | 78  | 17,80 | 8,0  | 78  | 20,00 |
|     |       | 5D  | 515          | 1030 | 624   | 4,5   | 88  | 19,10 | 6,3 | 88  | 26,50 | 7,1 | 88  | 29,70 | 8,0  | 88  | 33,40 |
| 225 | 244,5 | 3D  | 340          | 680  | 462   | -   | -   | -     | 6,3 | -   | 19,80 | -   | -   | -     | -    | -   | -     |
|     |       | 5D  | 580          | 1160 | 702   | -   | -   | -     | 6,3 | -   | 33,37 | -   | -   | -     | -    | -   | -     |
| 250 | 273,0 | 2D  | 254          | 508  | 391   | -   | 64  | 13,2  | 6,3 | 64  | 16,5  | 8,8 | 64  | 22,9  | 10,0 | 64  | 25,9  |
|     |       | 3D  | 381          | 762  | 518   | 5,0   | 78  | 19,8  | 6,3 | 78  | 24,8  | 8,8 | 78  | 34,3  | 10,0 | 79  | 38,8  |
|     |       | 5D  | 650          | 1300 | 786   | 5,0   | 88  | 33,7  | 6,3 | 88  | 42,3  | 8,8 | 88  | 58,5  | 10,0 | 88  | 66,2  |
| 300 | 323,9 | 2D  | 305          | 610  | 467   | -   | 64  | 21,1  | 7,1 | 64  | 26,6  | 8,8 | 65  | 32,8  | 10,0 | 65  | 37,1  |
|     |       | 3D  | 457          | 914  | 619   | 5,6   | 78  | 31,6  | 7,1 | 78  | 39,8  | 8,8 | 79  | 49,1  | 10,0 | 79  | 55,6  |
|     |       | 5D  | 770          | 1540 | 932   | 5,6   | 88  | 53,5  | 7,1 | 88  | 67,5  | 8,8 | 88  | 83,3  | 10,0 | 88  | 94,2  |

## Oblouk typ A EN 10253-2 (4)

DN 350 - DN 800

| DN  | D     | Typ | Rozměry v mm |      |       | Tloušťka stěny T, součinitel tlaku X v %, váha v kg |     |       |      |     |       |      |     |       |      |     |       |
|-----|-------|-----|--------------|------|-------|---|-----|-------|------|-----|-------|------|-----|-------|------|-----|-------|
|     |       |     | R            | C    | B-W-Z | 1   |     |       | 2    |     |       | 3    |     |       | 4    |     |       |
|     |       |     |              |      |       | T   | X % | kg    | T    | X % | kg    | T    | X % | kg    | T    | X % | kg    |
| 350 | 355,6 | 2D  | 356          | 711  | 533   | 5,6   | 67  | 27,0  | 8,0  | 67  | 38,2  | 10,0 | 67  | 47,5  | 12,5 | 68  | 59,0  |
|     |       | 3D  | 533          | 1066 | 711   |   | 80  | 40,5  |      | 80  | 57,5  |      | 80  | 71,4  |      | 80  | 88,6  |
|     |       | 5D  | 850          | 1700 | 1028  |   | 88  | 64,5  |      | 88  | 91,6  |      | 88  | 114,0 |      | 88  | 141,0 |
| 400 | 406,4 | 2D  | 406          | 813  | 610   | 6,3   | 67  | 39,7  | 8,8  | 67  | 55,1  | 10,0 | 67  | 62,4  | 12,5 | 67  | 77,6  |
|     |       | 3D  | 610          | 1220 | 813   |   | 80  | 59,6  |      | 80  | 82,6  |      | 80  | 93,6  |      | 80  | 116,0 |
|     |       | 5D  | 970          | 1940 | 1173  |   | 88  | 94,7  |      | 88  | 132,0 |      | 88  | 149,0 |      | 88  | 185,0 |
| 450 | 457,0 | 2D  | 457          | 914  | 686   | 6,3   | 67  | 50,1  | 10,0 | 67  | 78,8  | 11,0 | 67  | 86,5  | 12,5 | 67  | 98,0  |
|     |       | 3D  | 686          | 1372 | 914   |   | 80  | 75,5  |      | 80  | 119,0 |      | 80  | 130,0 |      | 80  | 148,0 |
|     |       | 5D  | 1122         | 2244 | 1350  |   | 88  | 124,0 |      | 88  | 194,0 |      | 88  | 213,0 |      | 88  | 242,0 |
| 500 | 508,0 | 2D  | 508          | 1016 | 762   | 6,3   | 67  | 61,8  | 10,0 | 67  | 97,4  | 11,0 | 67  | 107,0 | 12,5 | 67  | 121,0 |
|     |       | 3D  | 762          | 1524 | 1016  |   | 80  | 93,3  |      | 80  | 147,0 |      | 80  | 161,0 |      | 80  | 183,0 |
|     |       | 5D  | 1245         | 2490 | 1500  |   | 88  | 152,0 |      | 88  | 240,0 |      | 88  | 264,0 |      | 88  | 299,0 |
| 550 | 559,0 | 2D  | 559          | 1118 | 838   | 6,3   | -   | 74,2  | 10,0 | -   | 119,0 | -    | -   | -     | 12,5 | -   | 148,0 |
|     |       | 3D  | 838          | 1676 | 1118  |   | -   | 113,0 |      | -   | 178,0 |      | -   | -     |      | -   | 222,0 |
|     |       | 5D  | 1398         | 2796 | 1677  |   | -   | 185,0 |      | -   | 292,0 |      | -   | -     |      | -   | 364,0 |
| 600 | 610,0 | 2D  | 610          | 1220 | 914   | 6,3   | 67  | 89,8  | 10,0 | 67  | 142,0 | 12,5 | 67  | 176,0 | 17,5 | 67  | 245,0 |
|     |       | 3D  | 914          | 1828 | 1219  |   | 80  | 133,0 |      | 80  | 209,0 |      | 80  | 260,0 |      | 80  | 361,0 |
|     |       | 5D  | 1525         | 3050 | 1830  |   | 89  | 221,0 |      | 89  | 348,0 |      | 89  | 434,0 |      | 89  | 602,0 |
| 650 | 660,0 | 2D  | 660          | 1320 | 990   | -   | -   | -     | 10,0 | -   | 166,0 | 12,5 | -   | 207,0 | 17,5 | -   | 288,0 |
|     |       | 3D  | 990          | 1980 | 1320  |   | -   | -     |      | -   | 249,0 |      | -   | 310,0 |      | -   | 431,0 |
|     |       | 5D  | 1650         | 3300 | 1980  |   | -   | -     |      | -   | 327,0 |      | -   | 407,0 |      | -   | 566,0 |
| 700 | 711,0 | 2D  | 711          | 1422 | 1066  | 7,1   | 67  | 136,0 | 10,0 | 67  | 190,0 | 12,5 | 67  | 237,0 | 25,0 | 68  | 465,0 |
|     |       | 3D  | 1067         | 2134 | 1422  |   | 80  | 203,0 |      | 80  | 285,0 |      | 80  | 355,0 |      | 80  | 698,0 |
|     |       | 5D  | 1778         | 3556 | 2133  |   | 89  | 339,0 |      | 89  | 475,0 |      | 89  | 592,0 |      | 89  | 1163  |
| 750 | 762,0 | 2D  | 762          | 1524 | 1143  | -   | -   | -     | 10,0 | -   | 221,0 | 12,5 | -   | 276,0 | 25,0 | -   | 542,0 |
|     |       | 3D  | 1143         | 2286 | 1524  |   | -   | -     |      | -   | 331,0 |      | -   | 415,0 |      | -   | 816,0 |
|     |       | 5D  | 1905         | 3810 | 2286  |   | -   | -     |      | -   | 546,0 |      | -   | 680,0 |      | -   | 1338  |
| 800 | 813,0 | 2D  | 813          | 1626 | 1220  | 8,0   | 67  | 202,0 | 10,0 | 67  | 252,0 | 12,5 | 67  | 314,0 | 25,0 | 67  | 618,0 |
|     |       | 3D  | 1219         | 2438 | 1626  |   | 80  | 299,0 |      | 80  | 373,0 |      | 80  | 465,0 |      | 80  | 916,0 |
|     |       | 5D  | 2033         | 4066 | 2439  |   | 88  | 499,0 |      | 89  | 622,0 |      | 89  | 775,0 |      | 89  | 1526  |



## Oblouk typ A EN 10253-2 (5)

DN 15 - DN 100 /

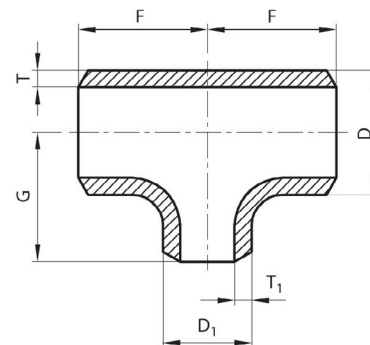
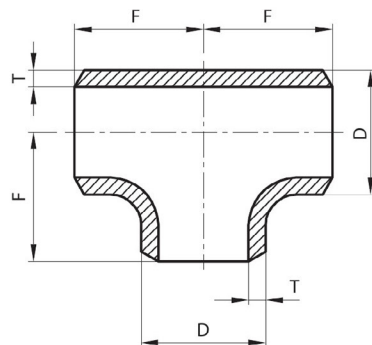
| DN  | D     | Typ | Rozměry v mm |     |       | Tloušťka stěny T, součinitel tlaku X v %, váha v kg |      |      |      |     |       |      |     |       |      |     |       |
|-----|-------|-----|--------------|-----|-------|---|------|------|------|-----|-------|------|-----|-------|------|-----|-------|
|     |       |     | R            | C   | B-W-Z | 5   |      |      | 6    |     |       | 7    |     |       | 8    |     |       |
|     |       |     |              |     |       | T   | X %  | kg   | T    | X % | kg    | T    | X % | kg    | T    | X % | kg    |
| 15  | 21,3  | 2D  | 25           | 50  | 36    | 4,0   | 79   | 0,06 | -    | -   | -     | 5,0  | 80  | 0,08  | 7,1  | 84  | 0,11  |
|     |       | 3D  | 38           | 76  | 49    |   | 87   | 0,08 |      | -   | -     |      | 88  | 0,10  |      | 90  | 0,15  |
|     |       | 5D  | 42,5         | 85  | 53    |   | 88   | 0,11 |      | -   | -     |      | 89  | 0,13  |      | 91  | 0,18  |
| 20  | 26,9  | 2D  | 25           | 50  | 42    | 4,0   | 69   | 0,09 | 4,5  | 70  | 0,09  | 5,6  | 72  | 0,11  | 8,0  | 77  | 0,15  |
|     |       | 3D  | 38           | 76  | 56    |   | 82   | 0,17 |      | 82  | 0,18  |      | 83  | 0,20  |      | 86  | 0,25  |
|     |       | 5D  | 57,5         | 115 | 71    |   | 99   | 0,21 |      | 89  | 0,23  |      | 89  | 0,25  |      | 91  | 0,33  |
| 25  | 33,7  | 2D  | 25           | 50  | 39    | 4,5   | 58   | 0,14 | 5,6  | 60  | 0,18  | 6,3  | 61  | 0,20  | 8,8  | 66  | 0,28  |
|     |       | 3D  | 38           | 76  | 51    |   | 75   | 0,20 |      | 77  | 0,23  |      | 77  | 0,26  |      | 80  | 0,38  |
|     |       | 5D  | 72,5         | 145 | 89    |   | 88   | 0,37 |      | 89  | 0,44  |      | 89  | 0,48  |      | 90  | 0,67  |
| 32  | 42,4  | 2D  | 32           | 64  | 53    | 5,0   | 58   | 0,27 | 6,3  | 60  | 0,33  | 8,0  | 62  | 0,43  | 10,0 | 65  | 0,52  |
|     |       | 3D  | 48           | 96  | 69    |   | 75   | 0,35 |      | 76  | 0,42  |      | 78  | 0,55  |      | 79  | 0,66  |
|     |       | 5D  | 92,5         | 185 | 114   |   | 88   | 0,70 |      | 89  | 0,81  |      | 89  | 1,05  |      | 90  | 1,26  |
| 40  | 48,3  | 2D  | 38           | 76  | 62    | 5,0   | 59   | 0,36 | 6,3  | 61  | 0,44  | 8,0  | 63  | 0,52  | 10,0 | 65  | 0,64  |
|     |       | 3D  | 57           | 114 | 82    |   | 76   | 0,47 |      | 77  | 0,59  |      | 78  | 0,71  |      | 79  | 0,85  |
|     |       | 5D  | 109,5        | 219 | 134   |   | 88   | 0,90 |      | 89  | 1,10  |      | 89  | 1,35  |      | 90  | 1,61  |
| 50  | 60,3  | 2D  | 51           | 102 | 81    | 5,6   | 62   | 0,66 | 7,1  | 64  | 0,80  | 8,8  | 65  | 0,97  | 11,0 | 67  | 1,18  |
|     |       | 3D  | 76           | 152 | 106   |   | 77   | 0,90 |      | 78  | 1,11  |      | 79  | 1,34  |      | 80  | 1,63  |
|     |       | 5D  | 137,5        | 275 | 168   |   | 88   | 1,60 |      | 89  | 1,98  |      | 89  | 2,37  |      | 90  | 2,90  |
| 65  | 76,1  | 2D  | 63           | 127 | 102   | 7,1   | 61   | 1,33 | 8,0  | 62  | 1,48  | 10,0 | 63  | 1,79  | 14,2 | 67  | 2,44  |
|     |       | 3D  | 95           | 190 | 133   |   | 77   | 1,81 |      | 77  | 2,01  |      | 78  | 2,43  |      | 80  | 3,31  |
|     |       | 5D  | 175          | 350 | 213   |   | 88   | 3,32 |      | 89  | 3,70  |      | 89  | 4,48  |      | 90  | 6,10  |
| 80  | 88,9  | 2D  | 76           | 152 | 121   | 8,0   | 63   | 2,07 | 8,8  | 63  | 2,26  | 11,0 | 65  | 2,74  | 16,0 | 68  | 3,98  |
|     |       | 3D  | 114          | 228 | 159   |   | 78   | 2,87 |      | 78  | 3,13  |      | 79  | 3,80  |      | 80  | 5,51  |
|     |       | 5D  | 207,5        | 415 | 252   |   | 89   | 5,16 |      | 89  | 5,62  |      | 89  | 6,85  |      | 90  | 9,85  |
|     | 101,6 | 3D  | 133          | 267 | 184   | 8,0   | -    | 3,87 | -    | -   | -     | -    | -   | -     | -    | -   | -     |
| 5D  |       | 235 | 470          | 286 | -     |   | 6,89 | -    |      | -   | -     |      | -   | -     |      | -   |       |
| 100 | 114,3 | 2D  | 102          | 203 | 159   | 8,8   | 64   | 3,78 | 11,0 | 65  | 4,62  | 14,2 | 67  | 5,78  | 17,5 | 68  | 7,04  |
|     |       | 3D  | 152          | 304 | 210   |   | 78   | 5,49 |      | 79  | 6,71  |      | 80  | 8,40  |      | 80  | 10,22 |
|     |       | 5D  | 270          | 540 | 327   |   | 89   | 9,71 |      | 89  | 11,90 |      | 89  | 14,90 |      | 90  | 18,50 |

## Oblouk typ A EN 10253-2 (6)

DN 125 - DN 600

| DN  | D     | Typ | Rozměry v mm |      |       | Tloušťka stěny T, součinitel tlaku X v %, váha v kg |     |       |      |     |       |      |     |       |      |     |       |
|-----|-------|-----|--------------|------|-------|---|-----|-------|------|-----|-------|------|-----|-------|------|-----|-------|
|     |       |     | R            | C    | B-W-Z | 5   |     |       | 6    |     |       | 7    |     |       | 8    |     |       |
|     |       |     |              |      |       | T   | X % | kg    | T    | X % | kg    | T    | X % | kg    | T    | X % | kg    |
| 125 | 139,7 | 2D  | 127          | 254  | 197   | 10,0  | 65  | 6,66  | 12,5 | 66  | 8,16  | 16,0 | 67  | 10,20 | 20,0 | 68  | 12,75 |
|     |       | 3D  | 190          | 380  | 260   |   | 79  | 9,57  |      | 79  | 11,70 |      | 80  | 14,60 |      | 81  | 18,25 |
|     |       | 5D  | 330          | 660  | 400   |   | 89  | 16,60 |      | 89  | 20,30 |      | 89  | 25,30 |      | 90  | 31,63 |
|     | 141,3 | 2D  | 127          | 254  | 197   | 10,0  | -   | 6,18  | -    | -   | 8,04  | 16,0 | -   | 9,80  | 20,0 | -   | 13,10 |
|     |       | 3D  | 190,5        | 381  | 262   |   | -   | 9,27  |      | -   | 12,10 |      | -   | 14,10 |      | -   | 17,50 |
|     |       |     |              |      |       |   |     |       |      |     |       |      |     |       |      |     |       |
| 150 | 168,3 | 2D  | 152          | 305  | 237   | 11,0  | 64  | 10,40 | 14,2 | 65  | 13,10 | 17,5 | 66  | 15,90 | 22,2 | 67  | 19,50 |
|     |       | 3D  | 229          | 457  | 313   |   | 79  | 15,30 |      | 79  | 19,40 |      | 80  | 23,40 |      | 80  | 28,70 |
|     |       | 5D  | 390          | 780  | 474   |   | 88  | 26,10 |      | 88  | 33,10 |      | 89  | 39,90 |      | 89  | 49,00 |
| 200 | 219,1 | 2D  | 203          | 406  | 313   | 12,5  | 65  | 21,00 | 16,0 | 66  | 26,40 | 17,5 | 66  | 28,70 | 22,2 | 67  | 35,60 |
|     |       | 3D  | 305          | 610  | 414   |   | 79  | 30,50 |      | 79  | 38,40 |      | 80  | 41,70 |      | 80  | 51,70 |
|     |       | 5D  | 515          | 1030 | 624   |   | 88  | 51,00 |      | 89  | 64,20 |      | 89  | 69,70 |      | 89  | 86,40 |
| 250 | 273,0 | 2D  | 254          | 508  | 391   | 12,5  | 65  | 32,0  | 16,0 | 65  | 40,5  | 22,2 | 66  | 54,8  | 30,0 | 68  | 73,2  |
|     |       | 3D  | 381          | 762  | 518   |   | 79  | 48,1  |      | 79  | 60,7  |      | 80  | 82,2  |      | 80  | 109,8 |
|     |       | 5D  | 650          | 1300 | 786   |   | 88  | 82,0  |      | 88  | 104,0 |      | 89  | 140,0 |      | 89  | 187,2 |
| 300 | 323,9 | 2D  | 305          | 610  | 467   | 12,5  | 65  | 46,0  | 17,5 | 65  | 63,4  | 25,0 | 67  | 88,3  | 32,0 | 68  | 111,3 |
|     |       | 3D  | 457          | 914  | 619   |   | 79  | 68,9  |      | 79  | 94,9  |      | 80  | 132,0 |      | 80  | 166,9 |
|     |       | 5D  | 770          | 1540 | 932   |   | 88  | 117,0 |      | 88  | 161,0 |      | 89  | 224,0 |      | 89  | 285,0 |
| 350 | 355,6 | 2D  | 356          | 711  | 533   | 16,0  | 68  | 74,7  | 20,0 | 68  | 92,3  | 28,0 | 69  | 125,4 | 36,0 | 70  | 153,0 |
|     |       | 3D  | 533          | 1066 | 711   |   | 80  | 112,0 |      | 81  | 139,0 |      | 81  | 171,6 |      | 82  | 205,9 |
|     |       | 5D  | 850          | 1700 | 1028  |   | 88  | 179,0 |      | 88  | 221,0 |      | 89  | 290,5 |      | 89  | 348,6 |
| 400 | 406,4 | 2D  | 406          | 813  | 610   | 17,5  | 68  | 107,0 | 22,2 | 69  | 134,0 | 30,0 | 69  | 178,0 | 40,0 | 70  | 231,0 |
|     |       | 3D  | 610          | 1220 | 813   |   | 81  | 161,0 |      | 81  | 201,0 |      | 81  | 267,0 |      | 82  | 346,0 |
|     |       | 5D  | 970          | 1940 | 1173  |   | 88  | 256,0 |      | 88  | 320,0 |      | 89  | 424,0 |      | 89  | 550,0 |
| 450 | 457,0 | 2D  | 457          | 914  | 686   | 17,5  | 68  | 136,0 | 22,2 | 68  | 170,0 | 32,0 | 69  | 240,0 | 45,0 | 70  | 326,0 |
|     |       | 3D  | 686          | 1372 | 914   |   | 80  | 204,0 |      | 81  | 257,0 |      | 81  | 362,0 |      | 82  | 492,0 |
|     |       | 5D  | 1122         | 2244 | 1350  |   | 88  | 335,0 |      | 89  | 420,0 |      | 89  | 591,0 |      | 89  | 804,0 |
| 500 | 508,0 | 2D  | 508          | 1016 | 762   | 17,5  | 68  | 168,0 | 25,0 | 68  | 236,0 | 36,0 | 69  | 332,0 | 50,0 | 70  | 458,0 |
|     |       | 3D  | 762          | 1524 | 1016  |   | 80  | 253,0 |      | 81  | 356,0 |      | 81  | 502,0 |      | 82  | 692,0 |
|     |       | 5D  | 1245         | 2490 | 1500  |   | 89  | 414,0 |      | 89  | 582,0 |      | 89  | 819,0 |      | 89  | 1128  |
| 600 | 610,0 | 2D  | 610          | 1220 | 914   | 25,0  | 68  | 345,0 | 30,0 | 68  | 411,0 | 45,0 | 69  | 598,0 | 60,0 | 70  | 820,0 |
|     |       | 3D  | 914          | 1828 | 1219  |   | 80  | 510,0 |      | 81  | 606,0 |      | 81  | 882,0 |      | 82  | 1212  |
|     |       | 5D  | 1525         | 3050 | 1830  |   | 89  | 849,0 |      | 89  | 1010  |      | 89  | 1470  |      | 90  | 2020  |

## T-kus typ A EN 10253-2 (1)



T-kus typ A





## T-kus typ A EN 10253-2 (3)

DN 100 - DN 250

| DN  | D     | D1    | Rozměry v mm |     | Tloušťka stěny T, T1, součinitel tlaku X v %, váha v kg |     |     |      |     |     |     |      |      |     |     |       |      |      |     |       |      |
|-----|-------|-------|--------------|-----|---|-----|-----|------|-----|-----|-----|------|------|-----|-----|-------|------|------|-----|-------|------|
|     |       |       | F            | G   | 1   |     |     |      | 2   |     |     |      | 3    |     |     |       | 4    |      |     |       |      |
|     |       |       |              |     | T   | T1  | X % | kg   | T   | T1  | X % | kg   | T    | T1  | X % | kg    | T    | T1   | X % | kg    |      |
| 100 | 114,3 | 114,3 | 105          | 105 | -   | -   | -   | -    | -   | 3,6 | 3,6 | 34   | 3,30 | 4,5 | 4,5 | 36    | 3,90 | 6,3  | 6,3 | 40    | 5,70 |
|     |       | 88,9  |              | 98  |   | -   | -   | -    | -   | 3,6 | 3,2 | 37   |      | 4,5 | 4,0 | 40    |      | 6,3  | 5,6 | 45    |      |
|     |       | 76,1  |              | 95  |   | -   | -   | -    | -   | 3,6 | 2,9 | 39   |      | 4,5 | 3,6 | 42    |      | 6,3  | 5,6 | 49    |      |
|     |       | 60,3  |              | 89  |   | -   | -   | -    | -   | 3,6 | 2,9 | 45   |      | 4,5 | 3,6 | 49    |      | 6,3  | 4,0 | 49    |      |
|     |       | 48,3  |              | 86  |   | -   | -   | -    | -   | 3,6 | 2,6 | 49   |      | 4,5 | 3,6 | 55    |      | 6,3  | 4,0 | 55    |      |
|     | 133,0 | 133,0 | 120          | 120 | -   | -   | -   | -    | 4,0 | 4,0 | -   | 4,60 | -    | -   | -   | -     | -    | -    | -   | -     | -    |
| 125 | 139,7 | 139,7 | 124          | 124 | -   | -   | -   | -    | -   | 4,0 | 4,0 | 33   | 5,10 | 5,0 | 5,0 | 36    | 5,50 | 6,3  | 6,3 | 39    | 7,90 |
|     |       | 114,3 |              | 117 |   | -   | -   | -    | -   | 4,0 | 3,6 | 36   |      | 5,0 | 4,5 | 38    |      | 6,3  | 6,3 | 44    |      |
|     |       | 88,9  |              | 111 |   | -   | -   | -    | -   | 4,0 | 3,2 | 39   |      | 5,0 | 4,0 | 42    |      | 6,3  | 5,6 | 48    |      |
|     |       | 76,1  |              | 108 |   | -   | -   | -    | -   | 4,0 | 2,9 | 41   |      | 5,0 | 3,6 | 44    |      | 6,3  | 5,6 | 53    |      |
|     |       | 60,3  |              | 105 |   | -   | -   | -    | -   | 4,0 | 2,9 | 47   |      | 5,0 | 3,6 | 50    |      | 6,3  | 4,0 | 51    |      |
|     | 159,0 | 159,0 | 138          | 138 | -   | -   | -   | -    | 4,5 | 4,5 | -   | 7,50 | -    | -   | -   | -     | -    | -    | -   | -     | -    |
| 150 | 168,3 | 168,3 | 143          | 143 | 4,0   | 4,0 | 32  | 7,50 | 4,5 | 4,5 | 33  | 8,10 | 5,6  | 5,6 | 36  | 11,80 | 7,1  | 7,1  | 38  | 13,00 |      |
|     |       | 139,7 |              | 137 | -   | -   | -   | -    | 4,5 | 4,0 | 35  |      | 5,6  | 5,0 | 38  |       | 7,1  | 6,3  | 40  |       |      |
|     |       | 114,3 |              | 130 | -   | -   | -   | -    | 4,5 | 3,6 | 38  |      | 5,6  | 4,5 | 41  |       | 7,1  | 6,3  | 46  |       |      |
|     |       | 88,9  |              | 124 | -   | -   | -   | -    | 4,5 | 3,2 | 42  |      | 5,6  | 4,0 | 45  |       | 7,1  | 5,6  | 51  |       |      |
|     |       | 76,1  |              | 121 | -   | -   | -   | -    | 4,5 | 2,9 | 44  |      | 5,6  | 3,6 | 47  |       | 7,1  | 5,6  | 55  |       |      |
|     |       | 60,3  |              | 115 | -   | -   | -   | -    | 4,5 | 2,9 | -   |      | 5,6  | 3,6 | -   |       | 7,1  | 4,0  | -   |       |      |
| 200 | 219,1 | 219,1 | 178          | 178 | 4,5   | 4,5 | 31  | 13,5 | 6,3 | 6,3 | 34  | 18,0 | 7,1  | 7,1 | 36  | 20,00 | 8,0  | 8,0  | 37  | 23,50 |      |
|     |       | 168,3 |              | 168 | 4,5   | 4,0 | 34  |      | 6,3 | 4,5 | 37  |      | 7,1  | 5,6 | 37  |       | 8,0  | 7,1  | 41  |       |      |
|     |       | 139,7 |              | 162 | -   | -   | -   |      | -   | 6,3 | 4,0 |      | 37   | 7,1 | 5,0 |       | 40   | 8,0  | 6,3 |       | 44   |
|     |       | 114,3 |              | 156 | -   | -   | -   |      | -   | 6,3 | 3,6 |      | 40   | 7,1 | 4,5 |       | 43   | 8,0  | 6,3 |       | 50   |
|     |       | 88,9  |              | 152 | -   | -   | -   |      | -   | 6,3 | 3,2 |      | -    | 7,1 | 4,0 |       | -    | 8,0  | 5,6 |       | -    |
| 250 | 273,0 | 273,0 | 216          | 216 | 5,0   | 5,0 | 30  | 21,5 | 6,3 | 6,3 | 32  | 26,5 | 8,8  | 8,8 | 36  | 36,5  | 10,0 | 10,0 | 38  | 41,5  |      |
|     |       | 219,1 |              | 203 | 5,0   | 4,5 | 33  |      | 6,3 | 6,3 | 38  |      | 8,8  | 7,1 | 37  |       | 10,0 | 8,0  | 39  |       |      |
|     |       | 168,3 |              | 194 | 5,0   | 4,0 | 36  |      | 6,3 | 4,5 | 37  |      | 8,8  | 5,6 | 40  |       | 10,0 | 7,1  | 43  |       |      |
|     |       | 139,7 |              | 191 |   |     |     |      | 6,3 | 4,0 | 40  |      | 8,8  | 5,0 | 42  |       | 10,0 | 6,3  | 46  |       |      |
|     |       | 114,3 |              | 184 |   |     |     |      | 6,3 | 3,6 | 43  |      | 8,8  | 4,5 | 47  |       | 10,0 | 6,3  | 52  |       |      |



## T-kus typ A EN 10253-2 (4)

DN 300 - DN 550

| DN  | D     | D1    | Rozměry<br>v mm |     | Tloušťka stěny T, T1, součinitel tlaku X v %, váha v kg |     |     |      |      |      |     |      |      |      |     |      |      |      |      |      |    |     |
|-----|-------|-------|-----------------|-----|---|-----|-----|------|------|------|-----|------|------|------|-----|------|------|------|------|------|----|-----|
|     |       |       | F               | G   | 1   |     |     |      | 2    |      |     |      | 3    |      |     |      | 4    |      |      |      |    |     |
|     |       |       |                 |     | T   | T1  | X % | kg   | T    | T1   | X % | kg   | T    | T1   | X % | kg   | T    | T1   | X %  | kg   |    |     |
| 300 | 323,9 | 323,9 | 254             | 254 | 5,6   | 5,6 | 29  | 35,0 | 7,1  | 7,1  | 32  | 42,0 | 8,8  | 8,8  | 34  | 55,0 | 10,0 | 10,0 | 36   | 59,0 |    |     |
|     |       | 273,0 |                 | 241 | 5,6   | 5,0 | 31  |      | 7,1  | 6,3  | 33  |      | 8,8  | 8,8  | 39  |      | 10,0 | 10,0 | 41   |      |    |     |
|     |       | 219,1 |                 | 229 | 5,6   | 4,5 | 34  |      | 7,1  | 6,3  | 39  |      | 8,8  | 7,1  | 40  |      | 10,0 | 8,0  | 41   |      |    |     |
|     |       | 168,3 |                 | 219 | 5,6   | 4,0 | 38  |      | 7,1  | 4,5  | 39  |      | 8,8  | 5,6  | 42  |      | 10,0 | 7,1  | 46   |      |    |     |
|     |       | 139,7 |                 | 216 | -   | -   | -   |      | 7,1  | 4,0  | -   |      | -    | -    | -   |      | 10,0 | 6,3  | -    |      |    |     |
|     |       | 114,3 |                 | 210 | -   | -   | -   |      | 7,1  | 3,6  | -   |      | -    | -    | -   |      | 10,0 | 6,3  | -    |      |    |     |
| 350 | 355,6 | 355,6 | 279             | 279 | 5,6   | 5,6 | 28  | 44   | 8,0  | 8,0  | 32  | 60   | 10,0 | 10,0 | 35  | 76   | 12,5 | 12,5 | 37   | 97   |    |     |
|     |       | 323,9 |                 | 270 | 5,6   | 5,6 | 30  |      | 8,0  | 7,1  | 33  |      | 10,0 | 8,8  | 35  |      | 12,5 | 10,0 | 40   |      |    |     |
|     |       | 273,0 |                 | 257 | 5,6   | 5,0 | 32  |      | 8,0  | 6,3  | 34  |      | 10,0 | 8,8  | 39  |      | 12,5 | 10,0 | 40   |      |    |     |
|     |       | 219,1 |                 | 248 | 5,6   | 4,5 | 35  |      | 8,0  | 6,3  | 39  |      | 10,0 | 7,1  | 40  |      | 12,5 | 8,0  | 41   |      |    |     |
|     |       | 168,3 |                 | 238 | 5,6   | 4,0 | 39  |      | 8,0  | 4,5  | 40  |      | 10,0 | 5,6  | 43  |      | 12,5 | 7,1  | 47   |      |    |     |
|     |       |       |                 |     |   |     |     |      |      |      |     |      |      |      |     |      |      |      |      |      |    |     |
| 400 | 406,4 | 406,4 | 305             | 305 | 6,3   | 6,3 | 28  | 61   | 8,8  | 8,8  | 32  | 82   | 10,0 | 10,0 | 34  | 93   | 12,5 | 12,5 | 36   | 118  |    |     |
|     |       | 355,6 |                 | 305 | 6,3   | 5,6 | 29  |      | 8,8  | 8,0  | 33  |      | 10,0 | 10,0 | 37  |      | 12,5 | 12,5 | 39   |      |    |     |
|     |       | 323,9 |                 | 295 | 6,3   | 5,6 | 31  |      | 8,8  | 7,1  | 33  |      | 10,0 | 8,8  | 36  |      | 12,5 | 10,0 | 37   |      |    |     |
|     |       | 273,0 |                 | 283 | 6,3   | 5,0 | 33  |      | 8,8  | 6,3  | 35  |      | 10,0 | 8,8  | 41  |      | 12,5 | 10,0 | 42   |      |    |     |
|     |       | 219,1 |                 | 273 | 6,3   | 4,5 | 36  |      | 8,8  | 6,3  | 40  |      | 10,0 | 7,1  | 42  |      | 12,5 | 8,0  | 43   |      |    |     |
|     |       | 168,3 |                 | 264 | 6,3   | 4,0 | 40  |      | 8,8  | 4,5  | 42  |      | 10,0 | 5,6  | 45  |      | 12,5 | 7,1  | 49   |      |    |     |
| 450 | 457,0 | 457,0 | 343             | 343 | 6,3   | 6,3 | 27  | 77   | 10,0 | 10,0 | 32  | 135  | 11,0 | 11,0 | 33  | 164  | 12,5 | 12,5 | 35   | 190  |    |     |
|     |       | 406,4 |                 | 330 | 6,3   | 6,3 | 30  |      | 10,0 | 8,8  | 33  |      | 11,0 | 10,0 | 34  |      | 12,5 | 12,5 | 38   |      |    |     |
|     |       | 355,6 |                 | 330 | 6,3   | 5,6 | 30  |      | 10,0 | 8,0  | 33  |      | 11,0 | 10,0 | 37  |      | 154  | 12,5 | 12,5 |      | 41 | 164 |
|     |       | 323,9 |                 | 321 | 6,3   | 5,6 | 32  |      | 10,0 | 7,1  | 34  |      | 11,0 | 8,8  | 37  |      | 140  | 12,5 | 10,0 |      | 39 | 154 |
|     |       | 273,0 |                 | 308 | 6,3   | 5,0 | 34  |      | 10,0 | 6,3  | 36  |      | 11,0 | 8,8  | 42  |      | 140  | 12,5 | 10,0 |      | 43 | 154 |
|     |       | 219,1 |                 | 298 | 6,3   | 4,5 | 37  |      | 10,0 | 6,3  | 42  |      | 11,0 | 7,1  | 43  |      | 140  | 12,5 | 8,0  |      | 45 | 154 |
| 500 | 508,0 | 508,0 | 381             | 381 | 6,3   | 6,3 | 26  | 104  | 10,0 | 10,0 | 31  | 165  | 11,0 | 11,0 | 32  | 185  | 12,5 | 12,5 | 34   | 245  |    |     |
|     |       | 457,0 |                 | 368 | 6,3   | 6,3 | 28  |      | 10,0 | 10,0 | 34  |      | 11,0 | 11,0 | 35  |      | 12,5 | 12,5 | 36   |      |    |     |
|     |       | 406,4 |                 | 356 | 6,3   | 6,3 | 31  |      | 10,0 | 8,8  | 34  |      | 11,0 | 10,0 | 36  |      | 12,5 | 12,5 | 40   |      |    |     |
|     |       | 323,9 |                 | 346 | 6,3   | 5,6 | 33  |      | 10,0 | 7,1  | 35  |      | 11,0 | 8,8  | 39  |      | 12,5 | 10,0 | 40   |      |    |     |
|     |       | 273,0 |                 | 333 | 6,3   | 5,0 | 35  |      | 10,0 | 6,3  | 38  |      | 11,0 | 8,8  | 43  |      | 12,5 | 10,0 | 45   |      |    |     |
|     |       |       |                 |     |   |     |     |      |      |      |     |      |      |      |     |      |      |      |      |      |    |     |
| 550 | 559,0 | 559,0 | 419             | 419 | 6,3   | 6,3 | -   | -    | 10,0 | 10,0 | -   | 200  | -    | -    | -   | -    | 12,5 | 12,5 | -    | 270  |    |     |
|     |       | 508,0 |                 | 406 | 6,3   | 6,3 | -   |      | 10,0 | 10,0 | -   |      | -    | -    | -   |      | 12,5 | 12,5 | -    |      |    |     |
|     |       | 406,4 |                 | 381 | 6,3   | 6,3 | -   |      | 10,0 | 8,8  | -   |      | 185  | -    | -   |      | -    | 12,5 | 12,5 |      | -  |     |
|     |       | 323,9 |                 | 371 | 6,3   | 5,6 | -   |      | 10,0 | 7,1  | -   |      | 170  | -    | -   |      | -    | 12,5 | 10,0 |      | -  |     |
|     |       | 273,0 |                 | 359 | 6,3   | 5,0 | -   |      | 10,0 | 6,3  | -   |      | 170  | -    | -   |      | -    | 12,5 | 10,0 |      | -  |     |

## T-kus typ A EN 10253-2 (5)

DN 15 - DN 80

| DN | D    | D1   | Rozměry v mm |    | Tloušťka stěny T, T1, součinitel tlaku X v %, váha v kg |     |     |      |     |     |     |      |      |      |     |      |      |      |     |      |
|----|------|------|--------------|----|---|-----|-----|------|-----|-----|-----|------|------|------|-----|------|------|------|-----|------|
|    |      |      | F            | G  | 5   |     |     |      | 6   |     |     |      | 7    |      |     |      | 8    |      |     |      |
|    |      |      |              |    | T   | T1  | X % | kg   | T   | T1  | X % | kg   | T    | T1   | X % | kg   | T    | T1   | X % | kg   |
| 15 | 21,3 | 21,3 | 25           | 25 | 4,0   | 4,0 | 51  | 0,18 | -   | -   | -   | -    | 5,0  | 5,0  | 53  | 0,22 | 7,1  | 7,1  | 57  | 0,27 |
| 20 | 26,9 | 26,9 | 29           | 29 | 4,0   | 4,0 | 50  | 0,25 | 4,5 | 4,5 | 51  | 0,09 | 5,6  | 5,6  | 54  | 0,33 | 8,0  | 8,0  | 58  | 0,39 |
|    |      | 21,3 |              |    | 4,0   | 4,0 | 57  |      | -   | -   | -   |      | -    | 5,6  | 5,0 |      | 57   | 8,0  | 7,1 |      |
| 25 | 33,7 | 33,7 | 38           | 38 | 4,5   | 4,5 | 47  | 0,50 | 5,6 | 5,6 | 50  | 0,55 | 6,3  | 6,3  | 52  | 0,61 | 8,8  | 8,8  | 56  | 0,78 |
|    |      | 26,9 |              |    | 4,5   | 4,0 | 49  |      | 5,6 | 4,5 | 49  |      | 6,3  | 5,6  | 54  |      | 8,8  | 8,0  | 59  |      |
|    |      | 21,3 |              |    | 4,5   | 4,0 | 55  |      | -   | -   | -   |      | -    | 6,3  | 5,0 |      | 56   | 8,8  | 7,1 |      |
| 32 | 42,4 | 42,4 | 48           | 48 | 5,0   | 5,0 | 46  | 0,77 | 6,3 | 6,3 | 49  | 0,93 | 8,0  | 8,0  | 52  | 1,20 | 10,0 | 10,0 | 54  | 1,35 |
|    |      | 33,7 |              |    | 5,0   | 4,5 | 48  |      | 6,3 | 5,6 | 51  |      | 8,0  | 6,3  | 51  |      | 10,0 | 8,8  | 56  |      |
|    |      | 26,9 |              |    | 5,0   | 4,0 | 50  |      | 6,3 | 4,5 | 50  |      | 8,0  | 5,6  | 52  |      | 10,0 | 8,0  | 59  |      |
|    |      | 21,3 |              |    | 5,0   | 4,0 | 54  |      | -   | -   | -   |      | -    | 8,0  | 5,0 |      | 55   | 10,0 | 7,1 |      |
| 40 | 48,3 | 48,3 | 57           | 57 | 5,0   | 5,0 | 43  | 1,10 | 6,3 | 6,3 | 46  | 1,30 | 8,0  | 8,0  | 49  | 1,60 | 10,0 | 10,0 | 52  | 1,90 |
|    |      | 42,4 |              |    | 5,0   | 5,0 | 46  |      | 6,3 | 6,3 | 49  |      | 8,0  | 8,0  | 52  |      | 10,0 | 10,0 | 55  |      |
|    |      | 33,7 |              |    | 5,0   | 4,5 | 48  |      | 6,3 | 5,6 | 51  |      | 8,0  | 6,3  | 50  |      | 10,0 | 8,8  | 57  |      |
|    |      | 26,9 |              |    | 5,0   | 4,0 | 49  |      | 6,3 | 4,5 | 49  |      | 8,0  | 5,6  | 52  |      | 10,0 | 8,0  | 59  |      |
|    |      | 21,3 |              |    | 5,0   | 4,0 | 53  |      | -   | -   | -   |      | -    | 8,0  | 5,0 |      | 54   | 10,0 | 7,1 |      |
| 50 | 60,3 | 60,3 | 64           | 64 | 5,6   | 5,6 | 44  | 1,65 | 7,1 | 7,1 | 47  | 1,90 | 8,8  | 8,8  | 50  | 2,45 | 11,0 | 11,0 | 53  | 2,95 |
|    |      | 48,3 |              | 60 | 5,6   | 5,0 | 48  |      | 7,1 | 6,3 | 51  |      | 8,8  | 8,0  | 55  |      | 11,0 | 10,0 | 58  |      |
|    |      | 42,4 |              | 57 | 5,6   | 5,0 | 53  |      | 7,1 | 6,3 | 56  |      | 8,8  | 8,0  | 60  |      | 11,0 | 10,0 | 64  |      |
|    |      | 33,7 |              | 51 | 5,6   | 4,5 | 59  |      | 7,1 | 5,6 | 62  |      | 8,8  | 6,3  | 62  |      | 11,0 | 8,8  | 69  |      |
|    |      | 26,9 |              | 44 | 5,6   | 4,0 | 66  |      | 7,1 | 4,5 | 70  |      | 8,8  | 5,6  | 70  |      | 11,0 | 8,0  | 78  |      |
| 65 | 76,1 | 76,1 | 76           | 76 | 7,1   | 7,1 | 46  | 3,15 | 8,0 | 8,0 | 47  | 3,65 | 10,0 | 10,0 | 50  | 4,25 | 14,2 | 14,2 | 55  | 5,65 |
|    |      | 60,3 |              | 70 | 7,1   | 5,6 | 47  |      | 8,0 | 7,1 | 52  |      | 10,0 | 8,8  | 55  |      | 14,2 | 11,0 | 57  |      |
|    |      | 48,3 |              | 67 | 7,1   | 5,0 | 51  |      | 8,0 | 6,3 | 55  |      | 10,0 | 8,0  | 59  |      | 14,2 | 10,0 | 60  |      |
|    |      | 42,4 |              | 64 | 7,1   | 5,0 | 55  |      | 8,0 | 6,3 | 60  |      | 10,0 | 8,0  | 64  |      | 14,2 | 10,0 | 66  |      |
|    |      | 33,7 |              | 57 | 7,1   | 4,5 | 62  |      | 8,0 | 5,6 | 67  |      | 10,0 | 6,3  | 67  |      | 14,2 | 8,8  | 73  |      |
| 80 | 88,9 | 88,9 | 86           | 86 | 8,0   | 8,0 | 46  | 4,60 | 8,8 | 8,8 | 47  | 5,00 | 11,0 | 11,0 | 50  | 6,10 | 16,0 | 16,0 | 55  | 8,30 |
|    |      | 76,1 |              | 83 | 8,0   | 7,1 | 47  |      | 8,8 | 8,0 | 49  |      | 11,0 | 10,0 | 52  |      | 16,0 | 14,2 | 56  |      |
|    |      | 60,3 |              | 76 | 8,0   | 5,6 | 49  |      | 8,8 | 7,1 | 54  |      | 11,0 | 8,8  | 57  |      | 16,0 | 11,0 | 58  |      |
|    |      | 48,3 |              | 73 | 8,0   | 5,0 | 53  |      | 8,8 | 6,3 | 58  |      | 11,0 | 8,0  | 62  |      | 16,0 | 10,0 | 63  |      |
|    |      | 42,4 |              | 70 | 8,0   | 5,0 | 58  |      | 8,8 | 6,3 | 63  |      | 11,0 | 8,0  | 67  |      | 16,0 | 10,0 | 68  |      |



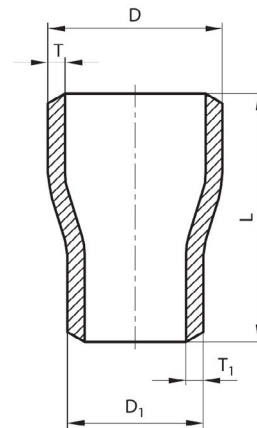


## T-kus typ A EN 10253-2 (7)

DN 350 - DN 600

| DN    | D     | D1    | Rozměry<br>v mm |       | Tloušťka stěny T, T1, součinitel tlaku X v %, váha v kg |      |     |       |       |      |      |       |      |      |      |      |      |      |      |      |      |
|-------|-------|-------|-----------------|-------|---|------|-----|-------|-------|------|------|-------|------|------|------|------|------|------|------|------|------|
|       |       |       | F               | G     | 5   |      |     |       | 6     |      |      |       | 7    |      |      |      | 8    |      |      |      |      |
|       |       |       |                 |       | T   | T1   | X % | kg    | T     | T1   | X %  | kg    | T    | T1   | X %  | kg   | T    | T1   | X %  | kg   |      |
| 350   | 355,6 | 355,6 | 279             | 279   | 16,0  | 16,0 | 41  | 122   | 20,0  | 20,0 | 43   | 148   | 28,0 | 28,0 | 47   | 200  | 36,0 | 36,0 | 47   | 250  |      |
|       |       | 323,9 |                 | 270   | 16,0  | 12,5 | 44  |       | 20,0  | 17,5 | 45   |       | 28,0 | 25,0 | 48   |      | 36,0 | 32,0 | 51   |      |      |
|       |       | 273,0 |                 | 257   | 16,0  | 12,5 | 42  |       | 20,0  | 16,0 | 46   |       | 140  | 28,0 | 22,2 |      | 50   | 187  | 36,0 |      | 30,0 |
|       |       | 219,1 |                 | 248   | 16,0  | 12,5 | 49  | 108   | 20,0  | 16,0 | 53   | 130   | 28,0 | 17,5 | 52   | 155  | 36,0 | 22,2 | 54   | 201  |      |
|       |       | 168,3 |                 | 238   | 16,0  | 11,0 | 54  |       | -     | -    | -    | -     | 28,0 | 17,5 | 60   |      | 36,0 | 22,2 | 63   |      |      |
|       |       | 400   |                 | 406,4 | 406,4   | 305  | 305 | 17,5  | 17,5  | 41   | 182  | 22,2  | 22,2 | 43   | 195  | 30,0 | 30,0 | 44   | 280  | 40,0 | 40,0 |
| 355,6 | 305   |       | 17,5            |       | 16,0  |      | 42  | 22,2  | 20,0  | 44   |      | 30,0  | 28,0 | 49   |      | 40,0 | 36,0 | 50   |      |      |      |
| 323,9 | 295   |       | 17,5            |       | 12,5  |      | 44  | 172   | 22,2  | 17,5 | 45   | 181   | 30,0 | 25,0 | 49   | 229  | 40,0 | 32,0 | 51   | 282  |      |
| 273,0 | 283   |       | 17,5            |       | 12,5  |      | 44  |       | 22,2  | 16,0 | 47   |       | 163  | 30,0 | 22,2 |      | 52   | 204  | 40,0 |      | 30,0 |
| 219,1 | 273   |       | 17,5            |       | 12,5  |      | 50  | 162   | 22,2  | 16,0 | 54   | 163   | 30,0 | 17,5 | 54   | 204  | 40,0 | 22,2 | 57   | 275  |      |
| 168,3 | 264   |       | 17,5            |       | 11,0  |      | 55  |       | 22,2  | 14,2 | 59   |       | 30,0 | 17,5 | 62   |      | 40,0 | 22,2 | 65   |      |      |
| 450   | 457,0 | 457,0 | 343             | 343   | 17,5  | 17,5 | 39  | 256   | 22,2  | 22,2 | 42   | 298   | 32,0 | 32,0 | 44   | 420  | 45,0 | 45,0 | 45   | 590  |      |
|       |       | 406,4 |                 | 330   | 17,5  | 17,5 | 43  |       | 22,2  | 22,2 | 46   |       | 32,0 | 30,0 | 47   |      | 45,0 | 40,0 | 49   |      | 550  |
|       |       | 355,6 |                 | 330   | 17,5  | 16,0 | 44  | 212   | 22,2  | 20,0 | 47   | 226   | 32,0 | 28,0 | 50   | 340  | 45,0 | 36,0 | 52   | 520  |      |
|       |       | 323,9 |                 | 321   | 17,5  | 12,5 | 41  |       | 22,2  | 17,5 | 46   |       | 32,0 | 25,0 | 51   |      | 45,0 | 32,0 | 52   |      | 500  |
|       |       | 273,0 |                 | 308   | 17,5  | 12,5 | 46  | 187   | 22,2  | 16,0 | 49   | 226   | 32,0 | 22,2 | 53   | 340  | 45,0 | 30,0 | 57   | 475  |      |
|       |       | 219,1 |                 | 298   | 17,5  | 12,5 | 52  |       | 22,2  | 16,0 | 56   |       | 32,0 | 17,5 | 56   |      | 45,0 | 22,2 | 59   |      | 455  |
| 500   | 508,0 | 508,0 | 381             | 381   | 17,5  | 17,5 | 38  | 333   | 25,0  | 25,0 | 42   | 425   | 36,0 | 36,0 | 44   | 527  | 50,0 | 50,0 | 45   | 790  |      |
|       |       | 457,0 |                 | 368   | 17,5  | 17,5 | 41  |       | 25,0  | 22,2 | 43   |       | 36,0 | 32,0 | 47   |      | 50,0 | 45,0 | 49   |      | 770  |
|       |       | 406,4 |                 | 356   | 17,5  | 17,5 | 44  |       | 25,0  | 22,2 | 46   |       | 36,0 | 30,0 | 48   |      | 50,0 | 40,0 | 50   |      | 750  |
|       |       | 323,9 |                 | 346   | 17,5  | 12,5 | 42  | 250   | 25,0  | 17,5 | 47   | 310   | 36,0 | 25,0 | 52   | 428  | 50,0 | 32,0 | 54   | 700  |      |
|       |       | 273,0 |                 | 333   | 17,5  | 12,5 | 48  |       | 25,0  | 16,0 | 50   |       | 36,0 | 22,2 | 55   |      | 50,0 | 30,0 | 58   |      | 680  |
| 600   | 610,0 | 610,0 | 432             | 432   | 25,0  | 25,0 | 39  | 650,0 | 30,0  | 30,0 | 40   | 730,0 | 45,0 | 45,0 | 41   | 1100 | 60,0 | 60,0 | 42   | 1300 |      |
|       |       | 508,0 |                 | 432   | 25,0  | 17,5 | 45  | 550,0 | 30,0  | 25,0 | 43   | 600   | 45,0 | 36,0 | 48   | 1060 | 60,0 | 50,0 | 49   |      |      |
|       |       | 406,4 |                 | 406   | 25,0  | 17,5 | 44  | 550,0 | 30,0  | 22,2 | 47   | 490   | 45,0 | 30,0 | 50   | 1000 | 60,0 | 40,0 | 53   | 1200 |      |
|       |       | 323,9 |                 | 397   | 25,0  | 12,5 | 47  |       | 430,0 | 30,0 | 17,5 |       | 49   | 450  | 45,0 |      | 25,0 | 54   | 60,0 |      | 32,0 |
|       |       | 273,0 |                 | 384   | 25,0  | 12,5 | 50  | 430,0 | 30,0  | 16,0 | 53   | 450   | 45,0 | 22,2 | 57   | 950  | 60,0 | 30,0 | 61   | 1050 |      |

Redukce koncentrická EN 10253-2 (1)



Redukce koncentrická



## Redukce koncentrická EN 10253-2 (2)

### Redukce koncentrické / DN 20 - DN 80

| D     | D1   | Rozměry v mm |       | Tloušťka stěny T, T1, součinitel tlaku X v %, váha v kg |    |     |    |     |     |     |      |     |     |     |      |     |     |     |      |
|-------|------|--------------|-------|---|----|-----|----|-----|-----|-----|------|-----|-----|-----|------|-----|-----|-----|------|
|       |      | L            | α max | 1   |    |     |    | 2   |     |     |      | 3   |     |     |      | 4   |     |     |      |
|       |      |              |       | T   | T1 | X % | kg | T   | T1  | X % | kg   | T   | T1  | X % | kg   | T   | T1  | X % | kg   |
| 26,9  | 21,3 | 38           | 8     | -   | -  | -   | -  | 2,3 | 2,0 | 100 | 0,05 | 2,6 | 2,6 | 100 | 0,06 | 3,2 | 3,2 | 100 | 0,07 |
| 33,7  | 26,9 | 51           | 7     | -   | -  | -   | -  | 2,6 | 2,3 | 100 | 0,09 | 3,2 | 2,6 | 100 | 0,10 | 4,0 | 3,2 | 100 | 0,12 |
|       | 21,3 |              | 12    |   |    |     |    | 2,6 | 2,0 | 100 |      | 3,2 | 2,6 | 100 |      | 4,0 | 3,2 | 100 |      |
| 42,4  | 33,7 | 51           | 9     | -   | -  | -   | -  | 2,6 | 2,6 | 100 | 0,11 | 3,6 | 3,2 | 100 | 0,14 | 4,0 | 4,0 | 100 | 0,18 |
|       | 26,9 | 51           | 15    |   |    |     |    | 2,6 | 2,3 | 100 |      | 3,6 | 2,6 | 100 |      | 4,0 | 3,2 | 100 |      |
|       | 21,3 |              | 19    |   |    |     |    | 2,6 | 2,0 | 100 |      | 3,6 | 2,6 | 100 |      | 4,0 | 3,2 | 100 |      |
| 48,3  | 42,4 | 64           | 6     | -   | -  | -   | -  | 2,6 | 2,6 | 100 | 0,17 | 3,6 | 3,6 | 100 | 0,27 | 4,0 | 4,0 | 100 | 0,27 |
|       | 33,7 |              | 10    |   |    |     |    | 2,6 | 2,6 | 100 |      | 3,6 | 3,2 | 100 |      | 4,0 | 4,0 | 100 |      |
|       | 26,9 |              | 16    |   |    |     |    | 2,6 | 2,3 | 100 |      | 3,6 | 2,6 | 100 |      | 4,0 | 3,2 | 100 |      |
|       | 21,3 |              | 22    |   |    |     |    | 2,6 | 2,0 | -   |      | 3,6 | 2,6 | -   |      | 4,0 | 3,2 | -   |      |
| 60,3  | 48,3 | 76           | 7     | -   | -  | -   | -  | 2,9 | 2,6 | 100 | 0,28 | 3,6 | 3,6 | 100 | 0,35 | 4,0 | 4,0 | 100 | 0,37 |
|       | 42,4 |              | 11    |   |    |     |    | 2,9 | 2,6 | 100 |      | 3,6 | 3,6 | 100 |      | 4,0 | 4,0 | 100 |      |
|       | 33,7 |              | 16    |   |    |     |    | 2,9 | 2,6 | 100 |      | 3,6 | 3,2 | 100 |      | 4,0 | 4,0 | 100 |      |
|       | 26,9 |              | 21    |   |    |     |    | 2,9 | 2,3 | 100 |      | 3,6 | 2,6 | 100 |      | 4,0 | 3,2 | 100 |      |
|       | 21,3 |              | 25    |   |    |     |    | 2,9 | 2,0 | -   |      | -   | -   | -   |      | 4,0 | 3,2 | -   |      |
| 76,1  | 60,3 | 89           | 9     | -   | -  | -   | -  | 2,9 | 2,9 | 100 | 0,42 | 3,6 | 3,6 | 100 | 0,70 | 5,6 | 4,0 | 100 | 0,85 |
|       | 48,3 |              | 15    |   |    |     |    | 2,9 | 2,6 | 100 |      | 3,6 | 3,6 | 100 |      | 5,6 | 4,0 | 100 |      |
|       | 42,4 |              | 18    |   |    |     |    | 2,9 | 2,6 | 100 |      | 3,6 | 3,6 | 100 |      | 5,6 | 4,0 | 100 |      |
|       | 33,7 |              | 23    |   |    |     |    | 2,9 | 2,6 | 100 |      | 3,6 | 3,2 | 100 |      | 5,6 | 4,0 | 100 |      |
|       | 26,9 |              | -     |   |    |     |    | 2,9 | 2,3 | -   |      | -   | -   | -   |      | -   | -   | -   |      |
| 88,9  | 76,1 | 89           | 7     | -   | -  | -   | -  | 3,2 | 2,9 | 100 | 0,55 | 4,0 | 3,6 | 100 | 0,85 | 5,6 | 5,6 | 100 | 0,93 |
|       | 60,3 |              | 16    |   |    |     |    | 3,2 | 2,9 | 100 |      | 4,0 | 3,6 | 100 |      | 5,6 | 4,0 | 100 |      |
|       | 48,3 |              | 22    |   |    |     |    | 3,2 | 2,6 | 100 |      | 4,0 | 3,6 | 100 |      | 5,6 | 4,0 | 100 |      |
|       | 42,4 |              | 26    |   |    |     |    | 3,2 | 2,6 | 100 |      | 4,0 | 3,6 | 100 |      | 5,6 | 4,0 | 100 |      |
|       | 33,7 |              | 30    |   |    |     |    | 3,2 | 2,6 | -   |      | -   | -   | -   |      | 5,6 | 3,2 | -   |      |
| 101,6 | 88,9 | 100          | 7     | -   | -  | -   | -  | 3,6 | 3,2 | -   | 0,78 | -   | -   | -   | -    | 5,6 | 5,6 | -   | 1,20 |
|       | 76,1 |              | 13    |   |    |     |    | 3,6 | 2,9 | -   |      | -   | -   | -   |      | 5,6 | 5,6 | -   |      |
|       | 60,3 |              | 21    |   |    |     |    | 3,6 | 2,9 | -   |      | -   | -   | -   |      | 5,6 | 4,0 | -   |      |
|       | 57,0 |              | 21    |   |    |     |    | 3,6 | 2,9 | -   |      | -   | -   | -   |      | -   | -   | -   |      |
|       | 48,3 |              | 27    |   |    |     |    | 3,6 | 2,6 | -   |      | -   | -   | -   |      | -   | -   | -   |      |

## Redukce koncentrická EN 10253-2 (3)

### Redukce koncentrické / DN 100 - DN 300

| D     | D1    | Rozměry v mm |       | Tloušťka stěny T, T1, součinitel tlaku X v %, váha v kg |     |      |      |     |     |      |      |     |      |      |       |      |      |      |       |   |
|-------|-------|--------------|-------|---|-----|------|------|-----|-----|------|------|-----|------|------|-------|------|------|------|-------|---|
|       |       | L            | α max | 1   |     |      |      | 2   |     |      |      | 3   |      |      |       | 4    |      |      |       |   |
|       |       |              |       | T   | T1  | X %  | kg   | T   | T1  | X %  | kg   | T   | T1   | X %  | kg    | T    | T1   | X %  | kg    |   |
| 114,3 | 101,6 | 102          | 7     | -   | -   | -    | 3,6  | 3,6 | -   | -    | -    | -   | -    | -    | -     | -    | -    | -    | -     | - |
|       | 88,9  |              | 13    | -   | -   | -    | 3,6  | 3,2 | 100 | 0,98 | 4,5  | 4,0 | 100  | 1,13 | 6,3   | 5,6  | 100  | 1,68 |       |   |
|       | 76,1  |              | 18    | -   | -   | -    | 3,6  | 2,9 | 100 | 4,5  | 3,6  | 100 | 6,3  | 5,6  | 100   |      |      |      |       |   |
|       | 60,3  |              | 26    | -   | -   | -    | 3,6  | 2,9 | 100 | 4,5  | 3,6  | 100 | 6,3  | 4,0  | 100   |      |      |      |       |   |
|       | 48,3  |              | 31    | -   | -   | -    | 3,6  | 2,6 | 97  | 4,5  | 3,6  | 99  | 6,3  | 4,0  | 100   |      |      |      |       |   |
|       | 42,4  |              | 35    | -   | -   | -    | 3,6  | 2,6 | -   | -    | -    | -   | -    | -    | -     |      |      |      |       |   |
|       | 33,7  |              | -     | -   | -   | -    | 3,6  | 2,6 | -   | -    | -    | -   | -    | -    | -     |      |      |      |       |   |
| 139,7 | 114,3 | 127          | 10    | -   | -   | -    | 4,0  | 3,6 | 100 | 1,70 | 5,0  | 4,5 | 100  | 2,10 | 6,3   | 6,3  | 100  | 2,63 |       |   |
|       | 101,6 |              | 16    | -   | -   | -    | 4,0  | 3,6 | -   | -    | -    | -   | 6,3  | 5,6  | -     |      |      |      |       |   |
|       | 88,9  |              | 20    | -   | -   | -    | 4,0  | 3,2 | 100 | 5,0  | 4,0  | 100 | 6,3  | 5,6  | 100   |      |      |      |       |   |
|       | 76,1  |              | 25    | -   | -   | -    | 4,0  | 2,9 | 100 | 5,0  | 3,6  | 100 | 6,3  | 5,6  | 100   |      |      |      |       |   |
|       | 60,3  |              | 30    | -   | -   | -    | 4,0  | 2,9 | 97  | 5,0  | 3,6  | 99  | 6,3  | 4,0  | 100   |      |      |      |       |   |
| 168,3 | 139,7 | 140          | 9     | -   | -   | -    | 4,5  | 4,0 | 100 | 2,55 | 5,6  | 5,0 | 100  | 3,10 | 7,1   | 6,3  | 100  | 3,95 |       |   |
|       | 114,3 |              | 19    | -   | -   | -    | 4,5  | 3,6 | 100 | 5,6  | 4,5  | 100 | 7,1  | 6,3  | 100   |      |      |      |       |   |
|       | 101,6 |              | 24    | -   | -   | -    | 4,5  | 3,6 | -   | -    | -    | -   | -    | -    |       |      |      |      |       |   |
|       | 88,9  |              | 27    | -   | -   | -    | 4,5  | 3,2 | 98  | 5,6  | 4,0  | 100 | 7,1  | 5,6  | 100   |      |      |      |       |   |
|       | 76,1  |              | 31    | -   | -   | -    | 4,5  | 2,9 | 96  | 5,6  | 3,6  | 98  | 7,1  | 5,6  | 100   |      |      |      |       |   |
|       | 60,3  |              | 38    | -   | -   | -    | 4,5  | 2,9 | -   | -    | -    | -   | 7,1  | 4,0  | -     |      |      |      |       |   |
| 219,1 | 168,3 | 152          | 18    | 4,0   | 100 | 3,66 | 6,3  | 4,5 | 100 | 5,00 | 7,1  | 5,6 | 100  | 5,60 | 8,0   | 7,1  | 100  | 6,32 |       |   |
|       | 139,7 |              | 27    | -   | -   | -    | 6,3  | 4,0 | 99  | 7,1  | 5,0  | 100 | 8,0  | 6,3  | 100   |      |      |      |       |   |
|       | 114,3 |              | 33    | -   | -   | -    | 6,3  | 3,6 | 95  | 7,1  | 4,5  | 96  | 8,0  | 6,3  | 97    |      |      |      |       |   |
|       | 88,9  |              | 39    | -   | -   | -    | 6,3  | 3,2 | 90  | 7,1  | 4,0  | 91  | 8,0  | 5,6  | 92    |      |      |      |       |   |
| 273,0 | 219,1 | 178          | 16    | 5,0   | 4,5 | 100  | 5,96 | 6,3 | 6,3 | 100  | 7,36 | 8,8 | 7,1  | 100  | 10,20 | 10,0 | 8,0  | 100  | 11,50 |   |
|       | 168,3 |              | 30    | 5,0   | 4,0 | 94   | 6,3  | 4,5 | 95  | 8,8  | 5,6  | 98  | 10,0 | 7,1  | 99    |      |      |      |       |   |
|       | 139,7 |              | 36    | -   | -   | -    | 6,3  | 4,0 | 91  | 8,8  | 5,0  | 94  | 10,0 | 6,3  | 95    |      |      |      |       |   |
|       | 114,3 |              | 40    | -   | -   | -    | 6,3  | 3,6 | 87  | 8,8  | 4,5  | 90  | 10,0 | 6,3  | 91    |      |      |      |       |   |
| 323,9 | 273,0 | 203          | 12    | 5,6   | 5,0 | 100  | 9,13 | 7,1 | 6,3 | 100  | 11,1 | 8,8 | 8,8  | 100  | 14,5  | 10,0 | 10,0 | 100  | 15,7  |   |
|       | 219,1 |              | 24    | 5,6   | 4,5 | 98   | 7,1  | 6,3 | 99  | 8,8  | 7,1  | 100 | 10,0 | 8,0  | 100   |      |      |      |       |   |
|       | 168,3 |              | 35    | 5,6   | 4,0 | 90   | 7,1  | 4,5 | 91  | 8,8  | 5,6  | 93  | 10,0 | 7,1  | 94    |      |      |      |       |   |
|       | 139,7 |              | 40    | -   | -   | -    | 7,1  | 4,0 | 87  | 8,8  | 5,0  | 88  | 10,0 | 6,3  | 90    |      |      |      |       |   |
|       | 114,3 |              | -     | -   | -   | -    | 7,1  | 3,6 | -   | -    | -    | -   | -    | -    | -     |      |      |      |       |   |

## Redukce koncentrická EN 10253-2 (4)

### Redukce koncentrické / DN 350 - DN 600

| D     | D1    | Rozměry v mm |       | Tloušťka stěny T, T1, součinitel tlaku X v %, váha v kg |     |     |      |      |      |     |      |      |      |     |      |      |      |     |      |
|-------|-------|--------------|-------|---|-----|-----|------|------|------|-----|------|------|------|-----|------|------|------|-----|------|
|       |       | L            | α max | 1   |     |     |      | 2    |      |     |      | 3    |      |     |      | 4    |      |     |      |
|       |       |              |       | T   | T1  | X % | kg   | T    | T1   | X % | kg   | T    | T1   | X % | kg   | T    | T1   | X % | kg   |
| 355,6 | 323,9 | 330          | 6     | 5,6   | 5,6 | 100 | 16,2 | 8,0  | 7,1  | 100 | 22,6 | 10,0 | 8,8  | 100 | 28,1 | 12,5 | 10,0 | 100 | 34,9 |
|       | 273,0 |              | 14    | 5,6   | 5,0 | 100 |      | 8,0  | 6,3  | 100 |      | 10,0 | 8,8  | 100 |      | 12,5 | 10,0 | 100 |      |
|       | 219,1 |              | 22    | 5,6   | 4,5 | 98  |      | 8,0  | 6,3  | 100 |      | 10,0 | 7,1  | 100 |      | 12,5 | 8,0  | 100 |      |
|       | 168,3 |              | 29    | 5,6   | 4,0 | 94  |      | 8,0  | 4,5  | 96  |      | 10,0 | 5,6  | 98  |      | 12,5 | 7,1  | 99  |      |
| 406,4 | 355,6 | 356          | 8     | 6,3   | 5,6 | 100 | 22,5 | 8,8  | 8,0  | 100 | 31   | 10,0 | 10,0 | 100 | 35   | 12,5 | 12,5 | 100 | 43   |
|       | 323,9 |              | 13    | 6,3   | 5,6 | 100 |      | 8,8  | 7,1  | 100 |      | 10,0 | 8,8  | 100 |      | 12,5 | 10,0 | 100 |      |
|       | 273,0 |              | 21    | 6,3   | 5,0 | 90  |      | 8,8  | 6,3  | 100 |      | 10,0 | 8,8  | 100 |      | 12,5 | 10,0 | 100 |      |
|       | 219,1 |              | 28    | 6,3   | 4,5 | 95  |      | 8,8  | 6,3  | 96  |      | 10,0 | 7,1  | 97  |      | 12,5 | 8,0  | 99  |      |
| 457,0 | 406,4 | 381          | 7     | 6,3   | 6,3 | 100 | 27   | 10,0 | 8,8  | 100 | 42   | 11,0 | 10,0 | 100 | 48   | 12,5 | 12,5 | 100 | 52   |
|       | 355,6 |              | 14    | 6,3   | 5,6 | 100 |      | 10,0 | 8,0  | 100 |      | 11,0 | 10,0 | 100 |      | 12,5 | 12,5 | 100 |      |
|       | 323,9 |              | 18    | 6,3   | 5,6 | 99  |      | 10,0 | 7,1  | 100 |      | 11,0 | 8,8  | 100 |      | 12,5 | 10,0 | 100 |      |
|       | 273,0 |              | 25    | 6,3   | 5,0 | 96  |      | 10,0 | 6,3  | 98  |      | 11,0 | 8,8  | 99  |      | 12,5 | 10,0 | 100 |      |
|       | 219,1 |              | 31    | 6,3   | 4,5 | -   |      | 10,0 | 6,3  | -   |      | 11,0 | 7,1  | -   |      | 12,5 | 8,0  | -   |      |
| 508,0 | 457,0 | 508          | 4     | 6,3   | 6,3 | 100 | 41   | 10,0 | 10,0 | 100 | 62   | 11,0 | 11,0 | 100 | 69   | 12,5 | 12,5 | 100 | 78   |
|       | 406,4 |              | 10    | 6,3   | 6,3 | 100 |      | 10,0 | 8,8  | 100 |      | 11,0 | 10,0 | 100 |      | 12,5 | 12,5 | 100 |      |
|       | 355,6 |              | 17    | 6,3   | 5,6 | 99  |      | 10,0 | 8,0  | 100 |      | 11,0 | 10,0 | 100 |      | 12,5 | 12,5 | 100 |      |
|       | 323,9 |              | 20    | 6,3   | 5,6 | 98  |      | 10,0 | 7,1  | 100 |      | 11,0 | 8,8  | 100 |      | 12,5 | 10,0 | 100 |      |
| 559,0 | 508,0 | 508          | -     | -   | -   | -   | -    | 10,0 | 10,0 | -   | 68   | -    | -    | -   | -    | 12,5 | 12,5 | -   | 89   |
|       | 457,0 |              | -     | -   | -   | -   |      | 10,0 | 10,0 | -   |      | -    | -    | -   |      | 12,5 | 12,5 | -   |      |
|       | 406,4 |              | -     | -   | -   | -   |      | 10,0 | 8,8  | -   |      | -    | -    | -   |      | 12,5 | 12,5 | -   |      |
|       | 355,6 |              | -     | -   | -   | -   |      | 10,0 | 8,0  | -   |      | -    | -    | -   |      | 12,5 | 12,5 | -   |      |
| 610,0 | 508,0 | 508          | 10    | 6,3   | 6,3 | 100 | 49   | 10,0 | 10,0 | 100 | 76   | 12,5 | 11,0 | 100 | 94   | 17,5 | 12,5 | 100 | 130  |
|       | 457,0 |              | 15    | 6,3   | 6,3 | 100 |      | 10,0 | 10,0 | 100 |      | 12,5 | 11,0 | 100 |      | 17,5 | 12,5 | 100 |      |
|       | 406,4 |              | 21    | 6,3   | 6,3 | 97  |      | 10,0 | 8,8  | 99  |      | 12,5 | 10,0 | 100 |      | 17,5 | 12,5 | 100 |      |
|       | 355,6 |              | 26    | 6,3   | 5,6 | -   |      | 10,0 | 8,0  | -   |      | 12,5 | 10,0 | -   |      | 17,5 | 12,5 | -   |      |
|       | 323,9 |              | 29    | 6,3   | 5,6 | -   |      | 10,0 | 7,1  | -   |      | 12,5 | 8,8  | -   |      | 17,5 | 10,0 | -   |      |
|       | 273,0 |              | 33    | 6,3   | 5,0 | -   |      | 10,0 | 6,3  | -   |      | 12,5 | 8,8  | -   |      | 17,5 | 10,0 | -   |      |





## Redukce koncentrická EN 10253-2 (6)

### Redukce koncentrické / DN 100 - DN 300

| D     | D1    | Rozměry v mm |       | Tloušťka stěny T, T1, součinitel tlaku X v %, váha v kg |      |     |       |      |      |      |       |      |      |      |       |      |      |     |       |
|-------|-------|--------------|-------|---|------|-----|-------|------|------|------|-------|------|------|------|-------|------|------|-----|-------|
|       |       | L            | α max | 5   |      |     |       | 6    |      |      |       | 7    |      |      |       | 8    |      |     |       |
|       |       |              |       | T   | T1   | X % | kg    | T    | T1   | X %  | kg    | T    | T1   | X %  | kg    | T    | T1   | X % | kg    |
| 114,3 | 101,6 | 102          | 7     | -   | -    | -   | 2,29  | -    | -    | -    | 3,00  | -    | -    | -    | 3,70  | -    | -    | -   | 4,18  |
|       | 88,9  |              | 13    | 8,8   | 8,0  | 100 | 11,0  | 8,8  | 100  | 14,2 | 11,0  | 100  | 17,5 | 16,0 | 100   |      |      |     |       |
|       | 76,1  |              | 18    | 8,8   | 7,1  | 100 | 11,0  | 8,0  | 100  | 14,2 | 10,0  | 100  | 17,5 | 14,2 | 100   |      |      |     |       |
|       | 60,3  |              | 26    | 8,8   | 5,6  | 100 | 11,0  | 7,1  | 100  | 14,2 | 8,8   | 100  | 17,5 | 11,0 | 100   |      |      |     |       |
|       | 48,3  |              | 31    | 8,8   | 5,0  | 100 | 11,0  | 6,3  | 100  | 14,2 | 8,0   | 100  | 17,5 | 10,0 | 100   |      |      |     |       |
| 139,7 | 114,3 | 127          | 10    | 10,0  | 8,8  | 100 | 4,06  | 12,5 | 11,0 | 100  | 4,98  | 16,0 | 14,2 | 100  | 6,20  | 20,0 | 17,5 | 100 | 8,80  |
|       | 101,6 |              | 16    | 10,0  | 8,0  | -   | -     | -    | -    | -    | -     | -    | -    | -    | -     | -    | -    |     |       |
|       | 88,9  |              | 20    | 10,0  | 8,0  | 100 | 12,5  | 8,8  | 100  | 16,0 | 11,0  | 100  | 20,0 | 16,0 | 100   |      |      |     |       |
|       | 76,1  |              | 25    | 10,0  | 7,1  | 100 | 12,5  | 8,0  | 100  | 16,0 | 10,0  | 100  | 20,0 | 14,2 | 100   |      |      |     |       |
|       | 60,3  |              | 30    | 10,0  | 5,6  | 100 | 12,5  | 7,1  | 100  | 16,0 | 8,8   | 100  | 20,0 | 11,0 | 100   |      |      |     |       |
| 168,3 | 139,7 | 140          | 9     | 11,0  | 10,0 | 100 | 5,98  | 14,2 | 12,5 | 100  | 8,65  | 17,5 | 16,0 | 100  | 9,11  | 22,2 | 20,0 | 100 | 11,2  |
|       | 114,3 |              | 19    | 11,0  | 8,8  | 100 | 14,2  | 11,0 | 100  | 17,5 | 14,2  | 100  | 22,2 | 17,5 | 100   |      |      |     |       |
|       | 101,6 |              | 24    | 11,0  | 8,0  | -   | -     | -    | -    | -    | -     | -    | -    | -    | -     |      |      |     |       |
|       | 88,9  |              | 27    | 11,0  | 8,0  | 100 | 14,2  | 8,8  | 100  | 17,5 | 11,0  | 100  | 22,2 | 16,0 | 100   |      |      |     |       |
|       | 76,1  |              | 31    | 11,0  | 7,1  | 100 | 14,2  | 8,0  | 100  | 17,5 | 10,0  | 100  | 22,2 | 14,2 | 100   |      |      |     |       |
|       | 60,3  |              | 38    | 11,0  | 5,6  | -   | -     | -    | -    | -    | -     | -    | -    | -    | -     |      |      |     |       |
| 219,1 | 168,3 | 152          | 18    | 12,5  | 11,0 | 100 | 9,68  | 16,0 | 14,2 | 100  | 12,50 | 17,5 | 17,5 | 100  | 13,20 | 22,2 | 22,2 | 100 | 16,40 |
|       | 139,7 |              | 27    | 12,5  | 10,0 | 100 | 16,0  | 12,5 | 100  | 17,5 | 16,0  | 100  | 22,2 | 20,0 | 100   |      |      |     |       |
|       | 114,3 |              | 33    | 12,5  | 8,8  | 100 | 16,0  | 11,0 | 100  | 17,5 | 14,2  | 100  | 22,2 | 17,5 | 100   |      |      |     |       |
|       | 88,9  |              | 39    | 12,5  | 8,0  | 99  | 16,0  | 8,8  | 100  | 17,5 | 11,0  | 100  | 22,2 | 16,0 | 100   |      |      |     |       |
| 273,0 | 219,1 | 178          | 16    | 12,5  | 12,5 | 100 | 14,20 | 16,0 | 16,0 | 100  | 19,00 | 22,2 | 17,5 | 100  | 25,50 | 30,0 | 22,2 | 100 | 34,00 |
|       | 168,3 |              | 30    | 12,5  | 11,0 | 100 | 16,0  | 14,2 | 100  | 22,2 | 17,5  | 100  | 30,0 | 22,2 | 100   |      |      |     |       |
|       | 139,7 |              | 36    | 12,5  | 10,0 | 98  | 16,0  | 12,5 | 100  | 22,2 | 16,0  | 100  | 30,0 | 20,0 | 100   |      |      |     |       |
|       | 114,3 |              | 40    | 12,5  | 8,8  | 94  | 16,0  | 11,0 | 98   | 22,2 | 14,2  | 100  | 30,0 | 17,5 | 100   |      |      |     |       |
| 323,9 | 273,0 | 203          | 12    | 12,5  | 12,5 | 100 | 19,24 | 17,5 | 16,0 | 100  | 26,80 | 25,0 | 22,2 | 100  | 37,30 | 32,0 | 30,0 | 100 | 47    |
|       | 219,1 |              | 24    | 12,5  | 12,5 | 100 | 17,5  | 16,0 | 100  | 25,0 | 17,5  | 100  | 32,0 | 22,2 | 100   |      |      |     |       |
|       | 168,3 |              | 35    | 12,5  | 11,0 | 96  | 17,5  | 14,2 | 100  | 25,0 | 17,5  | 100  | 32,0 | 22,2 | 100   |      |      |     |       |
|       | 139,7 |              | 40    | 12,5  | 10,0 | 92  | 17,5  | 12,5 | 97   | 25,0 | 16,0  | 100  | 32,0 | 20,0 | 100   |      |      |     |       |

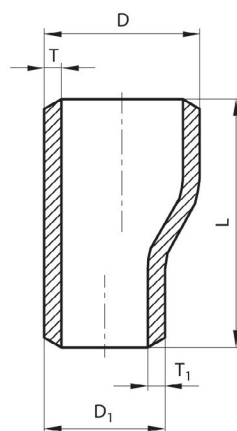


## Redukce koncentrická EN 10253-2 (7)

### Redukce koncentrické / DN 350 - DN 600

| D     | D1    | Rozměry v mm |       | Tloušťka stěny T, T1, součinitel tlaku X v %, váha v kg |      |     |      |      |      |     |      |      |      |     |      |      |      |     |      |
|-------|-------|--------------|-------|---|------|-----|------|------|------|-----|------|------|------|-----|------|------|------|-----|------|
|       |       | L            | α max | 5   |      |     |      | 6    |      |     |      | 7    |      |     |      | 8    |      |     |      |
|       |       |              |       | T   | T1   | X % | kg   | T    | T1   | X % | kg   | T    | T1   | X % | kg   | T    | T1   | X % | kg   |
| 355,6 | 323,9 | 330          | 6     | 16,0  | 12,5 | 100 | 48,1 | 20,0 | 17,5 | 100 | 61,0 | 28,0 | 25,0 | 100 | 74,5 | 36,0 | 32,0 | 100 | 94,0 |
|       | 273,0 |              | 14    | 16,0  | 12,5 | 100 |      | 20,0 | 16,0 | 100 |      | 28,0 | 22,2 | 100 |      | 36,0 | 30,0 | 100 |      |
|       | 219,1 |              | 22    | 16,0  | 12,5 | 100 |      | 20,0 | 16,0 | 100 |      | 28,0 | 17,5 | 100 |      | 36,0 | 22,2 | 100 |      |
|       | 168,3 |              | 29    | 16,0  | 11,0 | 100 |      | 20,0 | 14,2 | 100 |      | 28,0 | 17,5 | 100 |      | 36,0 | 22,2 | 100 |      |
| 406,4 | 355,6 | 356          | 8     | 17,5  | 16,0 | 100 | 62   | 22,2 | 20,0 | 100 | 75   | 30,0 | 28,0 | 100 | 99   | 40,0 | 36,0 | 100 | 128  |
|       | 323,9 |              | 13    | 17,5  | 12,5 | 100 |      | 22,2 | 17,5 | 100 |      | 30,0 | 25,0 | 100 |      | 40,0 | 32,0 | 100 |      |
|       | 273,0 |              | 21    | 17,5  | 12,5 | 100 |      | 22,2 | 16,0 | 100 |      | 30,0 | 22,2 | 100 |      | 40,0 | 30,0 | 100 |      |
|       | 219,1 |              | 28    | 17,5  | 12,5 | 100 |      | 22,2 | 16,0 | 100 |      | 30,0 | 17,5 | 100 |      | 40,0 | 22,2 | 100 |      |
| 457,0 | 406,4 | 381          | 7     | 17,5  | 17,5 | 100 | 80   | 22,2 | 22,2 | 100 | 91   | 32,0 | 30,0 | 100 | 127  | 45,0 | 40,0 | 100 | 174  |
|       | 355,6 |              | 14    | 17,5  | 16,0 | 100 |      | 22,2 | 20,0 | 100 |      | 32,0 | 28,0 | 100 |      | 45,0 | 36,0 | 100 |      |
|       | 323,9 |              | 18    | 17,5  | 12,5 | 100 |      | 22,2 | 17,5 | 100 |      | 32,0 | 25,0 | 100 |      | 45,0 | 32,0 | 100 |      |
|       | 273,0 |              | 25    | 17,5  | 12,5 | 100 |      | 22,2 | 16,0 | 100 |      | 32,0 | 22,2 | 100 |      | 45,0 | 30,0 | 100 |      |
|       | 219,1 |              | 31    | 17,5  | 12,5 | -   |      | 22,2 | 16,0 | -   |      | 32,0 | 17,5 | -   |      | 45,0 | 22,2 | -   |      |
| 508,0 | 457,0 | 508          | 4     | 17,5  | 17,5 | 100 | 102  | 25,0 | 22,2 | 100 | 145  | 36,0 | 32,0 | 100 | 212  | 50,0 | 45,0 | 100 | 287  |
|       | 406,4 |              | 10    | 17,5  | 17,5 | 100 |      | 25,0 | 22,2 | 100 |      | 36,0 | 30,0 | 100 |      | 50,0 | 40,0 | 100 |      |
|       | 355,6 |              | 17    | 17,5  | 16,0 | 100 |      | 25,0 | 20,0 | 100 |      | 36,0 | 28,0 | 100 |      | 50,0 | 36,0 | 100 |      |
|       | 323,9 |              | 20    | 17,5  | 12,5 | 100 |      | 25,0 | 17,5 | 100 |      | 36,0 | 25,0 | 100 |      | 50,0 | 32,0 | 100 |      |
| 610,0 | 508,0 | 508          | 10    | 25,0  | 17,5 | 100 | 185  | 30,0 | 25,0 | 100 | 217  | 45,0 | 36,0 | 100 | 318  | 60,0 | 50,0 | 100 | 413  |
|       | 457,0 |              | 15    | 25,0  | 17,5 | 100 |      | 30,0 | 22,2 | 100 |      | 45,0 | 32,0 | 100 |      | 60,0 | 45,0 | 100 |      |
|       | 406,4 |              | 21    | 25,0  | 17,5 | 100 |      | 30,0 | 22,2 | 100 |      | 45,0 | 30,0 | 100 |      | 60,0 | 40,0 | 100 |      |
|       | 355,6 |              | 26    | 25,0  | 16,0 | -   |      | 30,0 | 20,0 | -   |      | 45,0 | 28,0 | -   |      | 60,0 | 36,0 | -   |      |
|       | 323,9 |              | 29    | 25,0  | 12,5 | -   |      | 30,0 | 17,5 | -   |      | 45,0 | 25,0 | -   |      | 60,0 | 32,0 | -   |      |
|       | 273,0 |              | 33    | 25,0  | 12,5 | -   |      | 30,0 | 16,0 | -   |      | 45,0 | 22,2 | -   |      | 60,0 | 30,0 | -   |      |

## Redukce excentrická EN 10253-2 (1)



Redukce excentrická



## Redukce excentrická EN 10253-2 (3)

### Redukce excentrické / DN 100 - DN 300

| D     | D1    | Rozměry v mm |       | Tloušťka stěny T, T1, součinitel tlaku X v %, váha v kg |     |      |      |     |     |      |      |     |     |      |       |      |      |      |       |
|-------|-------|--------------|-------|---|-----|------|------|-----|-----|------|------|-----|-----|------|-------|------|------|------|-------|
|       |       | L            | α max | 1   |     |      |      | 2   |     |      |      | 3   |     |      |       | 4    |      |      |       |
|       |       |              |       | T   | T1  | X %  | kg   | T   | T1  | X %  | kg   | T   | T1  | X %  | kg    | T    | T1   | X %  | kg    |
| 114,3 | 101,6 | 102          | 14    | -   | -   | -    | -    | 3,6 | 3,6 | -    | 0,98 | -   | -   | -    | 1,13  | -    | -    | -    | 1,68  |
|       | 88,9  |              | 24    |   | -   | -    |      | 3,6 | 3,2 | 100  |      | 4,5 | 4,0 | 100  |       | 6,3  | 5,6  | 100  |       |
|       | 76,1  |              | 37    |   | -   | -    |      | 3,6 | 2,9 | 93   |      | 4,5 | 3,6 | 95   |       | 6,3  | 5,6  | 100  |       |
|       | 60,3  |              | 51    |   | -   | -    |      | 3,6 | 2,9 | 78   |      | 4,5 | 3,6 | 80   |       | 6,3  | 4,0  | 86   |       |
|       | 48,3  |              | 60    |   | -   | -    |      | 3,6 | 2,6 | (65) |      | 4,5 | 3,6 | (68) |       | 6,3  | 4,0  | 74   |       |
|       | 42,4  |              | 60    |   | -   | -    |      | 3,6 | 2,6 | -    |      | -   | -   | -    |       | -    | -    | -    |       |
| 139,7 | 114,3 | 127          | 18    | -   | -   | -    | -    | 4,0 | 3,6 | 100  | 1,70 | 5,0 | 4,5 | 100  | 2,10  | 6,3  | 6,3  | 100  | 2,63  |
|       | 101,6 |              | 28    |   | -   | -    |      | 4,0 | 3,6 | -    |      | -   | -   | -    |       | -    |      |      |       |
|       | 88,9  |              | 35    |   | -   | -    |      | 4,0 | 3,2 | 93   |      | 5,0 | 4,0 | 95   |       | 6,3  | 5,6  | 98   |       |
|       | 76,1  |              | 43    |   | -   | -    |      | 4,0 | 2,9 | 86   |      | 5,0 | 3,6 | 88   |       | 6,3  | 5,6  | 91   |       |
|       | 60,3  |              | 51    |   | -   | -    |      | 4,0 | 2,9 | 77   |      | 5,0 | 3,6 | 79   |       | 6,3  | 4,0  | 82   |       |
| 168,3 | 139,7 | 140          | 18    | -   | -   | -    | -    | 4,5 | 4,0 | 100  | 2,55 | 5,6 | 5,0 | 100  | 3,10  | 7,1  | 6,3  | 100  | 3,95  |
|       | 114,3 |              | 34    |   | -   | -    |      | 4,5 | 3,6 | 94   |      | 5,6 | 4,5 | 95   |       | 7,1  | 6,3  | 98   |       |
|       | 101,6 |              | 42    |   | -   | -    |      | 4,5 | 3,6 | -    |      | -   | -   | -    |       | -    | -    |      |       |
|       | 88,9  |              | 48    |   | -   | -    |      | 4,5 | 3,2 | 80   |      | 5,6 | 4,0 | 82   |       | 7,1  | 5,6  | 85   |       |
|       | 76,1  |              | 52    |   | -   | -    |      | 4,5 | 2,9 | (75) |      | 5,6 | 3,6 | 77   |       | 7,1  | 5,6  | 80   |       |
|       | 60,3  |              | -     |   | -   | -    |      | -   | -   | -    |      | -   | -   | -    |       | -    | -    | 7,1  |       |
| 219,1 | 168,3 | 152          | 31    | 4,5   | 4,0 | (93) | 3,66 | 6,3 | 4,5 | (90) | 5,00 | 7,1 | 5,6 | (95) | 5,60  | 8,0  | 7,1  | 98   | 6,32  |
|       | 139,7 |              | 45    |   | -   | -    |      | 6,3 | 4,0 | (74) |      | 7,1 | 5,0 | (84) |       | 8,0  | 6,3  | (86) |       |
|       | 114,3 |              | 55    |   | -   | -    |      | 6,3 | 3,6 | (71) |      | 7,1 | 4,5 | (72) |       | 8,0  | 6,3  | 74   |       |
|       | 88,9  |              | 60    |   | -   | -    |      | 6,3 | 3,2 | (64) |      | 7,1 | 4,0 | (65) |       | 8,0  | 5,6  | (67) |       |
| 273,0 | 219,1 | 178          | 28    | 5,0   | 4,5 | (92) | 5,96 | 6,3 | 6,3 | 97   | 7,36 | 8,8 | 7,1 | (97) | 10,20 | 10,0 | 8,0  | 100  | 11,50 |
|       | 168,3 |              | 48    | 5,0   | 4,0 | (76) |      | 6,3 | 4,5 | (75) |      | 8,8 | 5,6 | (76) |       | 10,0 | 7,1  | (83) |       |
|       | 139,7 |              | 55    | -   | -   | -    |      | 6,3 | 4,0 | (69) |      | 8,8 | 5,0 | (72) |       | 10,0 | 6,3  | 74   |       |
|       | 114,3 |              | 60    | -   | -   | -    |      | 6,3 | 3,6 | (62) |      | 8,8 | 4,5 | (65) |       | 10,0 | 6,3  | (67) |       |
| 323,9 | 273,0 | 203          | 23    | 5,6   | 5,0 | (95) | 9,13 | 7,1 | 6,3 | (99) | 11,1 | 8,8 | 8,8 | 100  | 14,5  | 10,0 | 10,0 | 100  | 15,7  |
|       | 219,1 |              | 44    | 5,6   | 4,5 | (72) |      | 7,1 | 6,3 | (83) |      | 8,8 | 7,1 | (84) |       | 10,0 | 8,0  | (86) |       |
|       | 168,3 |              | 55    | 5,6   | 4,0 | (66) |      | 7,1 | 4,5 | (69) |      | 8,8 | 5,6 | (71) |       | 10,0 | 7,1  | (72) |       |
|       | 139,7 |              | 60    | -   | -   | -    |      | 7,1 | 4,0 | (61) |      | 8,8 | 5,0 | (63) |       | 10,0 | 6,3  | (65) |       |



## Redukce excentrická EN 10253-2 (4)

Redukce excentrické / DN 350 - DN 600

| D     | D1    | Rozměry v mm |       | Tloušťka stěny T, T1, součinitel tlaku X v %, váha v kg |     |      |      |      |      |      |      |      |      |      |      |      |      |      |      |    |
|-------|-------|--------------|-------|---|-----|------|------|------|------|------|------|------|------|------|------|------|------|------|------|----|
|       |       | L            | α max | 1   |     |      |      | 2    |      |      |      | 3    |      |      |      | 4    |      |      |      |    |
|       |       |              |       | T   | T1  | X %  | kg   | T    | T1   | X %  | kg   | T    | T1   | X %  | kg   | T    | T1   | X %  | kg   |    |
| 355,6 | 323,9 | 330          | 8     | 5,6   | 5,6 | 100  | 16,2 | 8,0  | 7,1  | 100  | 22,6 | 10,0 | 8,8  | 100  | 28,1 | 12,5 | 10,0 | 100  | 34,9 |    |
|       |       |              | 25    | 5,6   | 5,0 | 97   |      | 8,0  | 6,3  | (97) |      | 10,0 | 8,8  | 100  |      | 12,5 | 10,0 | 100  |      |    |
|       |       |              | 37    | 5,6   | 4,5 | 88   |      | 8,0  | 6,3  | 90   |      | 10,0 | 7,1  | 92   |      | 12,5 | 8,0  | 94   |      |    |
|       |       |              | 47    | 5,6   | 4,0 | (77) |      | 8,0  | 4,5  | 79   |      | 10,0 | 5,6  | 81   |      | 12,5 | 7,1  | 84   |      |    |
| 406,4 | 355,6 | 356          | 15    | 6,3   | 5,6 | 100  | 22,5 | 8,8  | 8,0  | 100  | 31   | 10,0 | 10,0 | 100  | 35   | 12,5 | 12,5 | 100  | 43   |    |
|       |       |              | 24    | 6,3   | 5,6 | (96) |      | 8,8  | 7,1  | (96) |      | 10,0 | 8,8  | 99   |      | 12,5 | 10,0 | 100  |      |    |
|       |       |              | 36    | 6,3   | 5,0 | 82   |      | 8,8  | 6,3  | (83) |      | 10,0 | 8,8  | 91   |      | 12,5 | 10,0 | 93   |      |    |
|       |       |              | 46    | 6,3   | 4,5 | (78) |      | 8,8  | 6,3  | 80   |      | 10,0 | 7,1  | 81   |      | 12,5 | 8,0  | 83   |      |    |
| 457,0 | 406,4 | 381          | 11    | 6,3   | 6,3 | 100  | 27   | 10,0 | 8,8  | 100  | 42   | 11,0 | 10,0 | 100  | 48   | 12,5 | 12,5 | 100  | 52   |    |
|       |       |              | 24    | 6,3   | 5,6 | (96) |      | 10,0 | 8,0  | (98) |      | 11,0 | 10,0 | 99   |      | 12,5 | 12,5 | 100  |      |    |
|       |       |              | 31    | 6,3   | 5,6 | (91) |      | 10,0 | 7,1  | (85) |      | 11,0 | 8,8  | (95) |      | 12,5 | 10,0 | 96   |      |    |
|       |       |              | 41    | 6,3   | 5,0 | (83) |      | 10,0 | 6,3  | (79) |      | 11,0 | 8,8  | 86   |      | 12,5 | 10,0 | 88   |      |    |
|       |       |              | 219,1 | -   | 6,3 | 4,5  |      | 76   | 10,0 | 6,3  |      | 78   | 11,0 | 7,1  |      | -    | 12,5 | 8,0  |      | -  |
| 508,0 | 457,0 | 508          | 8     | 6,3   | 6,3 | 100  | 41   | 10,0 | 10,0 | 100  | 62   | 11,0 | 11,0 | 100  | 69   | 12,5 | 12,5 | 100  | 78   |    |
|       |       |              | 18    | 6,3   | 6,3 | 99   |      | 10,0 | 8,8  | 100  |      | 11,0 | 10,0 | 100  |      | 12,5 | 12,5 | 100  |      |    |
|       |       |              | 27    | 6,3   | 5,6 | 94   |      | 10,0 | 8,0  | 96   |      | 11,0 | 10,0 | 97   |      | 12,5 | 12,5 | 98   |      |    |
|       |       |              | 32    | 6,3   | 5,6 | 91   |      | 10,0 | 7,1  | 93   |      | 11,0 | 8,8  | 94   |      | 12,5 | 10,0 | 95   |      |    |
|       |       |              | 273,0 | 40  | 6,3 | 5,0  |      | 86   | 10,0 | 6,3  |      | -    | 11,0 | 8,8  |      | -    | 12,5 | 10,0 |      | -  |
|       |       |              | 219,1 | 46  | 6,3 | 4,5  |      | 80   | 10,0 | 6,3  |      | -    | 11,0 | 7,1  |      | -    | 12,5 | 8,0  |      | -  |
| 559,0 | 508,0 | 508          | -     | -   | -   | -    | -    | 10,0 | 10,0 | -    | 68   | -    | -    | -    | -    | 12,5 | 12,5 | -    | 89   |    |
|       |       |              | 457,0 | -   | -   | -    |      | 10,0 | 10,0 | -    |      | -    | -    | -    |      | 12,5 | 12,5 | -    |      |    |
|       |       |              | 406,4 | -   | -   | -    |      | 10,0 | 8,8  | -    |      | -    | -    | -    |      | 12,5 | 12,5 | -    |      |    |
|       |       |              | 355,6 | -   | -   | -    |      | 10,0 | 8,0  | -    |      | -    | -    | -    |      | 12,5 | 12,5 | -    |      |    |
| 610,0 | 508,0 | 508          | 17    | 6,3   | 6,3 | 99   | 49   | 10,0 | 10,0 | 100  | 76   | 12,5 | 11,0 | 100  | 94   | 17,5 | 12,5 | 100  | 130  |    |
|       |       |              | 27    | 6,3   | 6,3 | 94   |      | 10,0 | 10,0 | 96   |      | 12,5 | 11,0 | 97   |      | 17,5 | 12,5 | (98) |      |    |
|       |       |              | 35    | 6,3   | 6,3 | 88   |      | 10,0 | 8,8  | 90   |      | 12,5 | 10,0 | (91) |      | 17,5 | 12,5 | (93) |      |    |
|       |       |              | 355,6 | 42  | 6,3 | 5,6  |      | 82   | 10,0 | 8,0  |      | -    | 12,5 | 10,0 |      | -    | 17,5 | 12,5 |      | -  |
|       |       |              | 323,9 | 46  | 6,3 | 5,6  |      | 78   | 10,0 | 7,1  |      | -    | 12,5 | 8,8  |      | -    | 17,5 | 10,0 |      | 82 |
|       |       |              | 273,0 | 51  | 6,3 | 5,0  |      | 72   | 10,0 | 6,3  |      | -    | 12,5 | 8,8  |      | -    | 17,5 | 10,0 |      | -  |





## Redukce excentrická EN 10253-2 (6)

### Redukce excentrické / DN 100 - DN 300

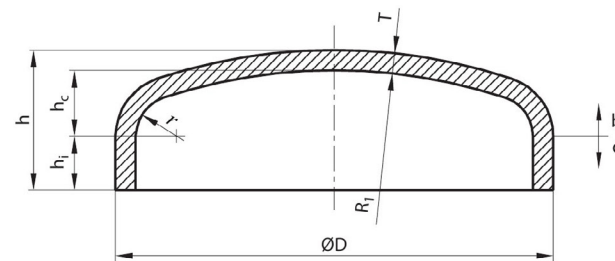
| D     | D1    | Rozměry v mm |       | Tloušťka stěny T, T1, součinitel tlaku X v %, váha v kg |      |      |       |      |      |     |       |      |      |     |       |      |      |     |       |
|-------|-------|--------------|-------|---|------|------|-------|------|------|-----|-------|------|------|-----|-------|------|------|-----|-------|
|       |       | L            | α max | 5   |      |      |       | 6    |      |     |       | 7    |      |     |       | 8    |      |     |       |
|       |       |              |       | T   | T1   | X %  | kg    | T    | T1   | X % | kg    | T    | T1   | X % | kg    | T    | T1   | X % | kg    |
| 114,3 | 101,6 | 102          | 14    | -   | -    | -    | 2,29  | -    | -    | -   | 3,00  | -    | -    | -   | 3,70  | -    | -    | -   | 4,18  |
|       | 88,9  |              | 24    | 8,8   | 8,0  | 100  |       | 11,0 | 8,8  | 100 |       | 14,2 | 11,0 | 100 |       | 17,5 | 16,0 | 100 |       |
|       | 76,1  |              | 37    | 8,8   | 7,1  | 100  |       | 11,0 | 8,0  | 100 |       | 14,2 | 10,0 | 100 |       | 17,5 | 14,2 | 100 |       |
|       | 60,3  |              | 51    | 8,8   | 5,6  | 94   |       | 11,0 | 7,1  | 100 |       | 14,2 | 8,8  | 100 |       | 17,5 | 11,0 | 100 |       |
|       | 48,3  |              | 60    | 8,8   | 5,0  | 83   |       | 11,0 | 6,3  | 93  |       | 14,2 | 8,0  | 100 |       | 17,5 | 10,0 | 100 |       |
|       | 42,4  |              | 60    | -   | -    | -    |       | -    | -    | -   |       | -    | -    | -   |       | -    | -    | -   |       |
| 139,7 | 114,3 | 127          | 18    | 10,0  | 8,8  | 100  | 4,06  | 12,5 | 11,0 | 100 | 4,98  | 16,0 | 14,2 | 100 | 6,20  | 20,0 | 17,5 | 100 | 8,80  |
|       | 101,6 |              | 28    | 10,0  | 8,0  | -    |       | -    | -    | -   |       | -    | -    | -   |       | -    |      |     |       |
|       | 88,9  |              | 35    | 10,0  | 8,0  | 100  |       | 12,5 | 8,8  | 100 |       | 16,0 | 11,0 | 100 |       | 20,0 | 16,0 | 100 |       |
|       | 76,1  |              | 43    | 10,0  | 7,1  | 100  |       | 12,5 | 8,0  | 100 |       | 16,0 | 10,0 | 100 |       | 20,0 | 14,2 | 100 |       |
|       | 60,3  |              | 51    | 10,0  | 5,6  | 92   |       | 12,5 | 7,1  | 99  |       | 16,0 | 8,8  | 100 |       | 20,0 | 11,0 | 100 |       |
| 168,3 | 139,7 | 140          | 18    | 11,0  | 10,0 | 100  | 5,98  | 14,2 | 12,5 | 100 | 8,65  | 17,5 | 16,0 | 100 | 9,11  | 22,2 | 20,0 | 100 | 11,2  |
|       | 114,3 |              | 34    | 11,0  | 8,8  | 100  |       | 14,2 | 11,0 | 100 |       | 17,5 | 14,2 | 100 |       | 22,2 | 17,5 | 100 |       |
|       | 101,6 |              | 42    | 11,0  | 8,0  | -    |       | -    | -    | -   |       | -    | -    | -   |       | 22,2 | 16,0 | -   |       |
|       | 88,9  |              | 48    | 11,0  | 8,0  | 93   |       | 14,2 | 8,8  | 100 |       | 17,5 | 11,0 | 100 |       | 22,2 | 16,0 | 100 |       |
|       | 76,1  |              | 52    | 11,0  | 7,1  | 88   |       | 14,2 | 8,0  | 96  |       | 17,5 | 10,0 | 100 |       | 22,2 | 14,2 | 100 |       |
|       | 60,3  |              | -     | 11,0  | 5,6  | -    |       | -    | -    | -   |       | -    | -    | -   |       | -    | -    | -   |       |
| 219,1 | 168,3 | 152          | 31    | 12,5  | 11,0 | 100  | 9,68  | 16,0 | 14,2 | 100 | 12,50 | 17,5 | 17,5 | 100 | 13,20 | 22,2 | 22,2 | 100 | 16,40 |
|       | 139,7 |              | 45    | 12,5  | 10,0 | 93   |       | 16,0 | 12,5 | 99  |       | 17,5 | 16,0 | 100 |       | 22,2 | 20,0 | 100 |       |
|       | 114,3 |              | 55    | 12,5  | 8,8  | 81   |       | 16,0 | 11,0 | 88  |       | 17,5 | 14,2 | 91  |       | 22,2 | 17,5 | 100 |       |
|       | 88,9  |              | 60    | 12,5  | 8,0  | 74   |       | 16,0 | 8,8  | 81  |       | 17,5 | 11,0 | 84  |       | 22,2 | 16,0 | 96  |       |
| 273,0 | 219,1 | 178          | 28    | 12,5  | 12,5 | 100  | 14,20 | 16,0 | 16,0 | 100 | 19,00 | 22,2 | 17,5 | 100 | 25,50 | 30,0 | 22,2 | 100 | 34,00 |
|       | 168,3 |              | 48    | 12,5  | 11,0 | 86   |       | 16,0 | 14,2 | 91  |       | 22,2 | 17,5 | 99  |       | 30,0 | 22,2 | 100 |       |
|       | 139,7 |              | 55    | 12,5  | 10,0 | 77   |       | 16,0 | 12,5 | 82  |       | 22,2 | 16,0 | 91  |       | 30,0 | 20,0 | 100 |       |
|       | 114,3 |              | 60    | 12,5  | 8,8  | (70) |       | 16,0 | 11,0 | 75  |       | 22,2 | 14,2 | 85  |       | 30,0 | 17,5 | 100 |       |
| 323,9 | 273,0 | 203          | 23    | 12,5  | 12,5 | 100  | 19,24 | 17,5 | 16,0 | 100 | 26,80 | 25,0 | 22,2 | 100 | 37,30 | 32,0 | 30,0 | 100 | 47    |
|       | 219,1 |              | 44    | 12,5  | 12,5 | 88   |       | 17,5 | 16,0 | 93  |       | 25,0 | 17,5 | 100 |       | 32,0 | 22,2 | 100 |       |
|       | 168,3 |              | 55    | 12,5  | 11,0 | 75   |       | 17,5 | 14,2 | 80  |       | 25,0 | 17,5 | 90  |       | 32,0 | 22,2 | 100 |       |
|       | 139,7 |              | 60    | 12,5  | 10,0 | (67) |       | 17,5 | 12,5 | 73  |       | 25,0 | 16,0 | 83  |       | 32,0 | 20,0 | 94  |       |

## Redukce excentrická EN 10253-2 (7)

Redukce excentrické / DN 350 - DN 600

| D     | D1    | Rozměry v mm |       | Tloušťka stěny T, T1, součinitel tlaku X v %, váha v kg |      |     |      |      |      |     |      |      |      |     |      |      |      |     |      |
|-------|-------|--------------|-------|---|------|-----|------|------|------|-----|------|------|------|-----|------|------|------|-----|------|
|       |       | L            | α max | 5   |      |     |      | 6    |      |     |      | 7    |      |     |      | 8    |      |     |      |
|       |       |              |       | T   | T1   | X % | kg   | T    | T1   | X % | kg   | T    | T1   | X % | kg   | T    | T1   | X % | kg   |
| 355,6 | 323,9 | 330          | 8     | 16,0  | 12,5 | 100 | 48,1 | 20,0 | 17,5 | 100 | 61,0 | 28,0 | 25,0 | 100 | 74,5 | 36,0 | 32,0 | 100 | 94,0 |
|       | 273,0 |              | 25    | 16,0  | 12,5 | 100 |      | 20,0 | 16,0 | 100 |      | 28,0 | 22,2 | 100 |      | 36,0 | 30,0 | 100 |      |
|       | 219,1 |              | 37    | 16,0  | 12,5 | 97  |      | 20,0 | 16,0 | 100 |      | 28,0 | 17,5 | 100 |      | 36,0 | 22,2 | 100 |      |
|       | 168,3 |              | 47    | 16,0  | 11,0 | 87  |      | 20,0 | 14,2 | 91  |      | 28,0 | 17,5 | 99  |      | 36,0 | 22,2 | 100 |      |
| 406,4 | 355,6 | 356          | 15    | 17,5  | 16,0 | 100 | 62   | 22,2 | 20,0 | 100 | 75   | 30,0 | 28,0 | 100 | 99   | 40,0 | 36,0 | 100 | 128  |
|       | 323,9 |              | 24    | 17,5  | 12,5 | 100 |      | 22,2 | 17,5 | 100 |      | 30,0 | 25,0 | 100 |      | 40,0 | 32,0 | 100 |      |
|       | 273,0 |              | 36    | 17,5  | 12,5 | 97  |      | 22,2 | 16,0 | 100 |      | 30,0 | 22,2 | 100 |      | 40,0 | 30,0 | 100 |      |
|       | 219,1 |              | 46    | 17,5  | 12,5 | 87  |      | 22,2 | 16,0 | 91  |      | 30,0 | 17,5 | 98  |      | 40,0 | 22,2 | 100 |      |
| 457,0 | 406,4 | 381          | 11    | 17,5  | 17,5 | 100 | 80   | 22,2 | 22,2 | 100 | 91   | 32,0 | 30,0 | 100 | 127  | 45,0 | 40,0 | 100 | 174  |
|       | 355,6 |              | 24    | 17,5  | 16,0 | 100 |      | 22,2 | 20,0 | 100 |      | 32,0 | 28,0 | 100 |      | 45,0 | 36,0 | 100 |      |
|       | 323,9 |              | 31    | 17,5  | 12,5 | 99  |      | 22,2 | 17,5 | 100 |      | 32,0 | 25,0 | 100 |      | 45,0 | 32,0 | 100 |      |
|       | 273,0 |              | 41    | 17,5  | 12,5 | 91  |      | 22,2 | 16,0 | 94  |      | 32,0 | 22,2 | 100 |      | 45,0 | 30,0 | 100 |      |
|       | 219,1 |              | -     | 17,5  | 12,5 | -   |      | 22,2 | 16,0 | -   |      | 32,0 | 17,5 | -   |      | 45,0 | 22,2 | -   |      |
| 508,0 | 457,0 | 508          | 8     | 17,5  | 17,5 | 100 | 102  | 25,0 | 22,2 | 100 | 145  | 36,0 | 32,0 | 100 | 212  | 50,0 | 45,0 | 100 | 287  |
|       | 406,4 |              | 18    | 17,5  | 17,5 | 100 |      | 25,0 | 22,2 | 100 |      | 36,0 | 30,0 | 100 |      | 50,0 | 40,0 | 100 |      |
|       | 355,6 |              | 27    | 17,5  | 16,0 | 100 |      | 25,0 | 20,0 | 100 |      | 36,0 | 28,0 | 100 |      | 50,0 | 36,0 | 100 |      |
|       | 323,9 |              | 32    | 17,5  | 12,5 | 97  |      | 25,0 | 17,5 | 100 |      | 36,0 | 25,0 | 100 |      | 50,0 | 32,0 | 100 |      |
|       | 273,0 |              | 40    | 17,5  | 12,5 | -   |      | 25,0 | 16,0 | -   |      | 36,0 | 22,2 | -   |      | 50,0 | 30,0 | -   |      |
|       | 219,1 |              | 46    | 17,5  | 12,5 | -   |      | 25,0 | 16,0 | -   |      | 36,0 | 17,5 | -   |      | 50,0 | 22,2 | -   |      |
| 610,0 | 508,0 | 508          | 17    | 25,0  | 17,5 | 100 | 185  | 30,0 | 25,0 | 100 | 217  | 45,0 | 36,0 | 100 | 318  | 60,0 | 50,0 | 100 | 413  |
|       | 457,0 |              | 27    | 25,0  | 17,5 | 100 |      | 30,0 | 22,2 | 100 |      | 45,0 | 32,0 | 100 |      | 60,0 | 45,0 | 100 |      |
|       | 406,4 |              | 35    | 25,0  | 17,5 | 97  |      | 30,0 | 22,2 | 99  |      | 45,0 | 30,0 | 100 |      | 60,0 | 40,0 | 100 |      |
|       | 355,6 |              | 42    | 25,0  | 16,0 | -   |      | 30,0 | 20,0 | -   |      | 45,0 | 28,0 | -   |      | 60,0 | 36,0 | -   |      |
|       | 323,9 |              | 46    | 25,0  | 12,5 | -   |      | 30,0 | 17,5 | -   |      | 45,0 | 25,0 | -   |      | 60,0 | 32,0 | -   |      |
|       | 273,0 |              | 51    | 25,0  | 12,5 | -   |      | 30,0 | 16,0 | -   |      | 45,0 | 22,2 | -   |      | 60,0 | 30,0 | -   |      |

## Dno EN 10253-2 (1)



$$R_1 \approx 0,8 D$$

$$r \approx 0,15 D$$



## Dna EN 10253-2 (2)

Dna DN 15 - DN 700

| DN  | D     | Rozměry<br>v mm   | Tloušťka stěny T, T1, součinitel tlaku X v %, váha v kg |     |      |      |     |      |      |     |      |      |     |      |    |
|-----|-------|-------------------|---|-----|------|------|-----|------|------|-----|------|------|-----|------|----|
|     |       |                   | h   | 1   |      |      | 2   |      |      | 3   |      |      | 4   |      |    |
|     |       |                   |   | T   | X %  | kg   | T   | X %  | kg   | T   | X %  | kg   | T   | X %  | kg |
| 15  | 21,3  | 25                | -   | -   | -    | 2,0  | -   | 0,06 | 2,6  | -   | 0,08 | 3,2  | -   | 0,10 |    |
| 20  | 26,9  | 25                | -   | -   | -    | 2,3  | -   | 0,08 | 2,6  | -   | 0,09 | 3,2  | -   | 0,11 |    |
| 25  | 33,7  | 25                | -   | -   | -    | 2,6  | -   | 0,19 | 3,2  | -   | 0,24 | 4,0  | -   | 0,29 |    |
| 32  | 42,4  | 38                | -   | -   | -    | 2,6  | -   | 0,10 | 3,6  | -   | 0,14 | 4,0  | -   | -    |    |
| 40  | 48,3  | 38                | -   | -   | -    | 2,6  | 100 | 0,12 | 3,6  | -   | 0,17 | 4,0  | -   | 0,18 |    |
|     | 57,0  | -                 | -   | -   | -    | 2,9  | -   | 0,16 | -    | -   | -    | -    | -   | -    |    |
| 50  | 60,3  | 38                | -   | -   | -    | 2,9  | 100 | 0,17 | 3,6  | -   | 0,26 | 4,0  | -   | 0,30 |    |
| 65  | 76,1  | 38                | -   | -   | -    | 2,9  | 100 | 0,23 | 3,6  | 100 | -    | 5,6  | -   | 0,56 |    |
| 80  | 88,9  | 51                | -   | -   | -    | 3,2  | 100 | 0,38 | 4,0  | 100 | 0,50 | 5,6  | -   | 0,67 |    |
|     | 101,6 | 64                | -   | -   | -    | 3,6  | -   | 0,60 | 4,0  | -   | -    | 5,6  | -   | 0,94 |    |
|     | 108,0 | -                 | -   | -   | -    | 3,6  | -   | 0,65 | -    | -   | -    | -    | -   | -    |    |
| 100 | 114,3 | 64                | -   | -   | -    | 3,6  | 100 | 0,70 | 4,5  | 100 | 0,92 | 6,3  | 100 | 1,23 |    |
|     | 133,0 | -                 | -   | -   | -    | 4,0  | -   | 1,07 | -    | -   | -    | -    | -   | -    |    |
| 125 | 139,7 | 76                | -   | -   | -    | 4,0  | 100 | 1,14 | 5,0  | 100 | 1,56 | 6,3  | 100 | 1,80 |    |
|     | 159,0 | -                 | -   | -   | -    | 4,5  | -   | 1,70 | -    | -   | -    | -    | -   | -    |    |
| 150 | 168,3 | 89                | 4,0   | 100 | 1,63 | 4,5  | 100 | 1,68 | 5,6  | 100 | -    | 7,1  | 100 | 2,89 |    |
| 200 | 219,1 | 102               | 4,5   | 100 | 2,9  | 6,3  | 100 | 4,0  | 7,1  | 100 | 4,50 | 8,0  | 100 | 5,10 |    |
| 250 | 273,0 | 127               | 5,0   | 100 | 5,0  | 6,3  | 100 | 6,3  | 8,8  | 100 | 8,8  | 10,0 | 100 | 10,0 |    |
| 300 | 323,9 | 152               | 5,6   | 100 | 7,8  | 7,1  | 100 | 9,9  | 8,8  | 100 | 12,0 | 10,0 | 100 | 14,0 |    |
| 350 | 355,6 | 165               | 5,6   | 100 | 9    | 8,0  | 100 | 14   | 10,0 | 100 | 16,7 | 12,5 | 100 | 21   |    |
| 400 | 406,4 | 178               | 6,3   | 100 | 13,5 | 8,8  | 100 | 18,6 | 10,0 | 100 | 21   | 12,5 | 100 | 26   |    |
| 450 | 457,0 | 203               | 6,3   | 100 | 17   | 10,0 | 100 | 27   | 11,0 | 100 | 29   | 12,5 | 100 | 34   |    |
| 500 | 508,0 | 229               | 6,3   | 100 | 21   | 10,0 | 100 | 32   | 11,0 | 100 | 37   | 12,5 | 100 | 42   |    |
| 550 | 559,0 | 254               | 6,3   | -   | 35   | 10,0 | -   | 39   | -    | -   | -    | 12,5 | -   | 50   |    |
| 600 | 610,0 | 267               | 6,3   | 98  | 30   | 10,0 | 100 | 47   | 12,5 | 100 | 60   | 17,5 | 100 | 83   |    |
| 650 | 660,0 | 267               | -   | -   | -    | 10,0 | -   | 50   | 12,5 | -   | 66   | 17,5 | -   | -    |    |
| 700 | 711,0 | 267 dla T<br>≤ 25 | 7,1   | 97  | 42   | 10,0 | 100 | 56   | 12,5 | 100 | 74   | 25,0 | 100 | 138  |    |
|     |       | 290               |   |     |      |      |     |      |      |     |      |      |     |      |    |